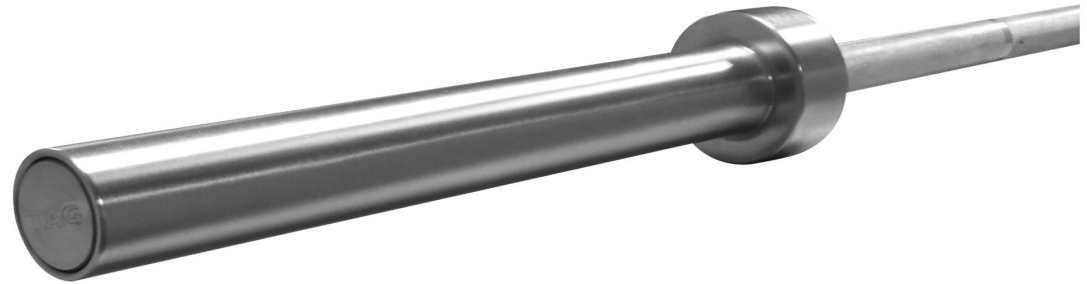


OLYMPIC BAR

ITEM F17

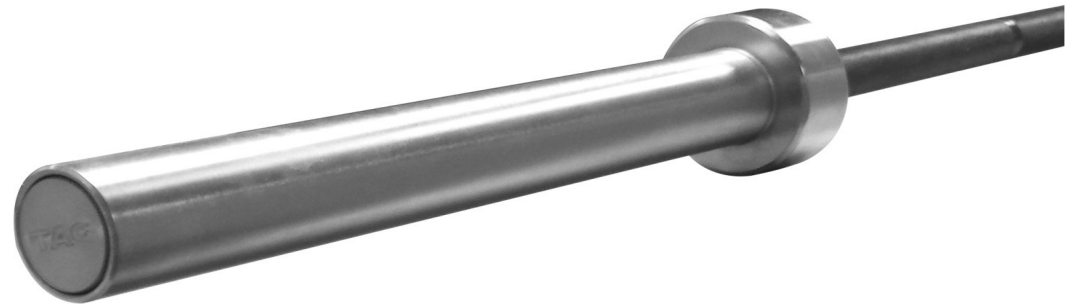
BAR-7' Olympic

- 7' polished steel bar
- 1200lb statical test bar
- Hard Chrome Bar with Chemical Chrome Sleeves
- 1 year warranty
- Bar diameter: 30mm diameter
- Weight: 44lbs



BAR-7' High Test

- 7' polished steel bar
- 1500lb statical test bar
- Black Oxidized Bar with Chemical Chrome Sleeves
- 1 year warranty
- Bar diameter: 28mm diameter
- Weight: 44lbs



BAR-7' TEX

- 7' polished steel bar
- Texas Power Bar - Made in the USA
- Exceeds 1500lb statical test bar
- Black Oxidized bar with Chemical Chrome Sleeves
- 1 year warranty
- Bar diameter: 28mm diameter
- Weight: 44lbs

