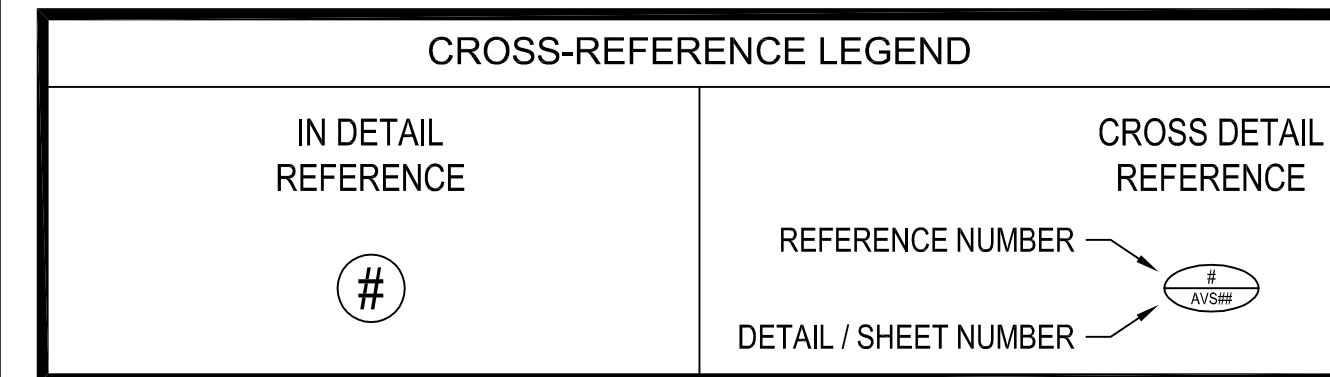


REPURPOSING INTERIM HOSPITAL LOUISIANA STATE UNIVERSITY MEDICAL CENTER AV SYSTEMS

DRAWING INDEX			
AUDIOVISUAL SYSTEMS DRAWINGS		AUDIOVISUAL REFERENCE DRAWINGS	
NUMBER	DESCRIPTION	NUMBER	DESCRIPTION
AVS00	AUDIOVISUAL SYSTEMS COVER SHEET	T0.01	TECHNOLOGY INFRASTRUCTURE LEGENDS AND SYMBOLS
AVS01	AUDIOVISUAL SYSTEMS - SY01, SY02, SY03, SY04, SY05, SY06, SY07, SY08	T0.02	TECHNOLOGY INFRASTRUCTURE SCHEDULES AND NOTES
AVS02	AUDIOVISUAL SYSTEMS - SY09	T1.12	TECHNOLOGY INFRASTRUCTURE FIRST FLOOR AREA B PLAN
AVS03	AUDIOVISUAL SYSTEMS - SY10, SY11	T1.24	TECHNOLOGY INFRASTRUCTURE FIRST FLOOR AREA C PLAN
AVS04	AUDIOVISUAL SYSTEMS - SY12	T1.25	TECHNOLOGY INFRASTRUCTURE FIRST FLOOR AREA D PLAN
AVS05	AUDIOVISUAL SYSTEMS - SY13, SY14, SY15	T1.26	TECHNOLOGY INFRASTRUCTURE FIRST FLOOR AREA E PLAN
AVS06	AUDIOVISUAL SYSTEMS - SY16, SY17, SY18	T1.27	TECHNOLOGY INFRASTRUCTURE SECOND FLOOR AREA C PLAN
AVS07	AUDIOVISUAL SYSTEMS - SY19	T1.28	TECHNOLOGY INFRASTRUCTURE SECOND FLOOR AREA D PLAN
AVS08	AUDIOVISUAL SYSTEMS - SY20	T1.29	TECHNOLOGY INFRASTRUCTURE SECOND FLOOR AREA E PLAN
AVS09	AUDIOVISUAL SYSTEMS - SY21, SY22, SY23	T1.31	TECHNOLOGY INFRASTRUCTURE THIRD FLOOR AREA C PLAN
AVMS01	AUDIOVISUAL SYSTEMS - MED SIM - MSY01, MSY02, MSY03	T1.32	TECHNOLOGY INFRASTRUCTURE THIRD FLOOR AREA D PLAN
AVMS02	AUDIOVISUAL SYSTEMS - MED SIM - MSY04, MSY05	T1.33	TECHNOLOGY INFRASTRUCTURE THIRD FLOOR AREA E PLAN
AVMS03	AUDIOVISUAL SYSTEMS - MED SIM - MSY06, MSY07, MSY08	T1.34	TECHNOLOGY INFRASTRUCTURE FOURTH FLOOR AREA C PLAN
AVMS04	AUDIOVISUAL SYSTEMS - MED SIM - MSY09, MSY10	T1.35	TECHNOLOGY INFRASTRUCTURE FOURTH FLOOR AREA D PLAN
AVMS05	AUDIOVISUAL SYSTEMS - MED SIM - MSY11	T1.36	TECHNOLOGY INFRASTRUCTURE FOURTH FLOOR AREA E PLAN
AVMS06	AUDIOVISUAL SYSTEMS - MED SIM - MSY12 - SHEET 1	T1.37	TECHNOLOGY INFRASTRUCTURE FIFTH FLOOR AREA D PLAN
AVMS07	AUDIOVISUAL SYSTEMS - MED SIM - MSY12 - SHEET 2	T1.38	TECHNOLOGY INFRASTRUCTURE FIFTH FLOOR AREA E PLAN
AVMS08	AUDIOVISUAL SYSTEMS - MED SIM - MSY13	T1.41	TECHNOLOGY INFRASTRUCTURE SIXTH FLOOR AREA D PLAN
AVMS09	AUDIOVISUAL SYSTEMS - MED SIM - MSY14, MSY15	T1.42	TECHNOLOGY INFRASTRUCTURE SIXTH FLOOR AREA E PLAN
AVMS10	AUDIOVISUAL SYSTEMS - MED SIM - MSY16 - SHEET 1	T1.43	TECHNOLOGY INFRASTRUCTURE SEVENTH FLOOR AREA D PLAN
AVMS11	AUDIOVISUAL SYSTEMS - MED SIM - MSY16 - SHEET 2	T1.44	TECHNOLOGY INFRASTRUCTURE SEVENTH FLOOR AREA E PLAN
AVMS12	AUDIOVISUAL SYSTEMS - MED SIM - MSY17	T1.45	TECHNOLOGY INFRASTRUCTURE EIGHTH FLOOR AREA D PLAN
AVMS13	AUDIOVISUAL SYSTEMS - MED SIM - MSY18, MSY19, MSY20	T1.46	TECHNOLOGY INFRASTRUCTURE EIGHTH FLOOR AREA E PLAN
AVMS14	AUDIOVISUAL SYSTEMS - MED SIM - MSY21	T2.12	TECHNOLOGY INFRASTRUCTURE FIRST FLOOR AREA B RCP
AVMS15	AUDIOVISUAL SYSTEMS - MED SIM - MSY22	T2.24	TECHNOLOGY INFRASTRUCTURE FIRST FLOOR AREA C RCP
AVMS16	AUDIOVISUAL SYSTEMS - MED SIM - MSY23	T2.25	TECHNOLOGY INFRASTRUCTURE FIRST FLOOR AREA D RCP
AVMS17	AUDIOVISUAL SYSTEMS - MED SIM - MSY24	T2.26	TECHNOLOGY INFRASTRUCTURE FIRST FLOOR AREA E RCP
AVMS18	AUDIOVISUAL SYSTEMS - MED SIM - MSY25	T2.27	TECHNOLOGY INFRASTRUCTURE SECOND FLOOR AREA C RCP
		T2.28	TECHNOLOGY INFRASTRUCTURE SECOND FLOOR AREA D RCP
		T2.29	TECHNOLOGY INFRASTRUCTURE SECOND FLOOR AREA E RCP
		T2.31	TECHNOLOGY INFRASTRUCTURE THIRD FLOOR AREA C RCP
		T2.32	TECHNOLOGY INFRASTRUCTURE THIRD FLOOR AREA D RCP
		T2.33	TECHNOLOGY INFRASTRUCTURE THIRD FLOOR AREA E RCP
		T2.34	TECHNOLOGY INFRASTRUCTURE FOURTH FLOOR AREA C RCP
		T2.35	TECHNOLOGY INFRASTRUCTURE FOURTH FLOOR AREA D RCP
		T2.36	TECHNOLOGY INFRASTRUCTURE FOURTH FLOOR AREA E RCP
		T2.37	TECHNOLOGY INFRASTRUCTURE FIFTH FLOOR AREA D RCP
		T2.38	TECHNOLOGY INFRASTRUCTURE FIFTH FLOOR AREA E RCP
		T2.41	TECHNOLOGY INFRASTRUCTURE SIXTH FLOOR AREA D RCP
		T2.42	TECHNOLOGY INFRASTRUCTURE SIXTH FLOOR AREA E RCP
		T2.43	TECHNOLOGY INFRASTRUCTURE SEVENTH FLOOR AREA D RCP
		T2.44	TECHNOLOGY INFRASTRUCTURE SEVENTH FLOOR AREA E RCP
		T2.45	TECHNOLOGY INFRASTRUCTURE EIGHTH FLOOR AREA D RCP
		T2.46	TECHNOLOGY INFRASTRUCTURE EIGHTH FLOOR AREA E RCP
		T5.01	TECHNOLOGY INFRASTRUCTURE ROOM ELEVATIONS
		T5.02	TECHNOLOGY INFRASTRUCTURE ROOM ELEVATIONS
		T5.03	TECHNOLOGY INFRASTRUCTURE ROOM ELEVATIONS
		T5.04	TECHNOLOGY INFRASTRUCTURE ROOM ELEVATIONS
		T5.05	TECHNOLOGY INFRASTRUCTURE ROOM ELEVATIONS
		T6.03	TECHNOLOGY INFRASTRUCTURE ROOM RISERS
		T6.04	TECHNOLOGY INFRASTRUCTURE ROOM RISERS
		T6.05	TECHNOLOGY INFRASTRUCTURE ROOM RISERS
		T6.06	TECHNOLOGY INFRASTRUCTURE ROOM RISERS
		T6.07	TECHNOLOGY INFRASTRUCTURE ROOM RISERS
		T6.08	TECHNOLOGY INFRASTRUCTURE ROOM RISERS
		T6.09	TECHNOLOGY INFRASTRUCTURE ROOM RISERS
		T70.1	TECHNOLOGY INFRASTRUCTURE DETAILS
		T7.02	TECHNOLOGY INFRASTRUCTURE DETAILS
		T7.03	TECHNOLOGY INFRASTRUCTURE DETAILS
		T7.04	TECHNOLOGY INFRASTRUCTURE DETAILS

CONTRACTOR RESPONSIBILITY MATRIX		
ITEM / TASK	FURNISH	INSTALL
CONDUIT, WALL BOXES, CEILING BOXES, FLOOR BOXES, AND OTHER CABLE PATHWAYS REQUIRED TO SUPPORT AV SYSTEMS.	OT	OT
PROJECTION SCREENS - CASE	OT	OT
PROJECTION SCREENS - ROLLER/FABRIC	OT	OT
IN-WALL BLOCKING, CEILING SUPPORT STRUCTURE, AND OTHER STRUCTURAL SUPPORT FOR AV EQUIPMENT.	OT	OT
AV EQUIPMENT	AVC	AVC
AV CABLING AND TERMINATIONS	AVC	AVC
AV CONTROL SYSTEM AND DSP SOFTWARE DEVELOPMENT	AVC	AVC
AV EQUIPMENT CONFIGURATION, TESTING, COMMISSIONING, TRAINING, AND PROJECT ACTIVATION	AVC	AVC
TV DISTRIBUTION INTRA-BUILDING CABLING/DISTRIBUTION	OT	OT
STRUCTURED CABLING (FOR BUILDING NETWORK) AND TERMINATIONS	OT	OT
STRUCTURED CABLING (FOR AV NETWORK) AND TERMINATIONS	AVC	AVC
MOUNTS, EQUIPMENT RACKS, AND INSTALLATION MATERIALS	AVC	AVC
LECTERN / AV OPERATOR CONSOLE CONTAINING AV EQUIPMENT	AVC	AVC
CREDENZA / OTHER FURNITURE CONTAINING AV EQUIPMENT	AVC	AVC
SITE MILL-WORK	OT	OT
CABLE MANAGEMENT AND BOXES FOR AV EQUIP. IN CONFERENCE TABLES/FURNITURE	AVC	AVC
MODIFICATIONS TO CONFERENCE TABLES/FURNITURE FOR AV EQUIPMENT	OT	OT
COMPUTERS AND OTHER OWNER-FURNISHED EQUIPMENT	O	AVC
RESPONSIBLE PARTIES:		
AVC AUDIOVISUAL CONTRACTOR	O OWNER	
C CONSULTANT	OT OTHER TRADES	
NOTES:		
THIS MATRIX IS PROVIDED AS A CONVENIENCE TO THE CONTRACTOR AND TO DRAW PARTICULAR ATTENTION TO ITEMS THAT REQUIRE SPECIFIC COORDINATION FROM MULTIPLE PARTIES. THIS IS NOT AN ALL-INCLUSIVE LIST. CONTRACTOR SHALL REFERENCE THE AUDIOVISUAL SPECIFICATION FOR COMPLETE REQUIREMENTS. IF THERE ARE ANY DISCREPANCIES BETWEEN THIS AND THE SPECIFICATION, THE SPECIFICATION SHALL TAKE PRECEDENCE.		



REPURPOSING INTERIM HOSPITAL LOUISIANA STATE UNIVERSITY MEDICAL CENTER

2021 PERDIDO ST, NEW ORLEANS, LOUISIANA 70112
FP&C PROJECT NO. | 19-604N-16-01, PT. 01, F.19001156;
F.19.002168-01-107-05B-13, F.01003750; & 19-604N-05-05,
F.19002231 (SUPPLEMENT)

EDR PROJECT NO. | 16053

PROJECT ISSUE DATE | 28 OCTOBER 2021

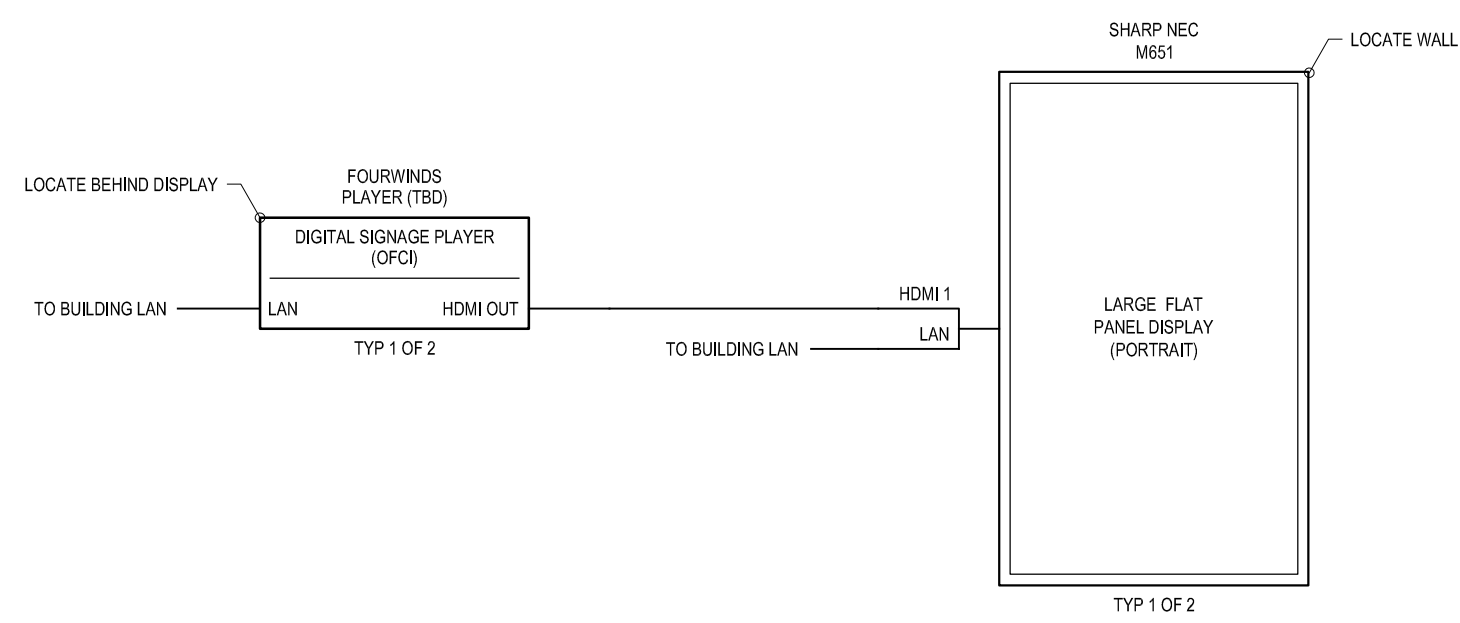
AUDIOVISUAL SYSTEMS

© Eskew+Dumez+Ripple 2019
A Professional Corporation

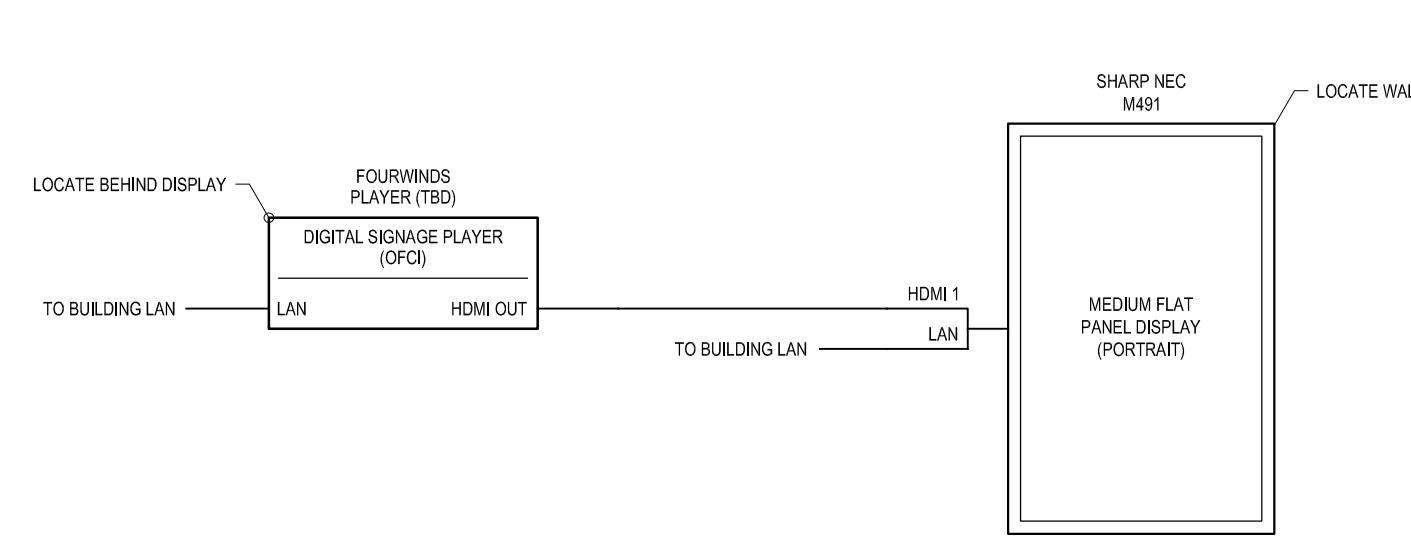
The intent of the Contract Documents is to include all items necessary for proper execution and completion of the work by Contractor. The Contract Documents are complementary, and what is required by one shall be as binding as if required by all; performance by the Contractor shall be required only to the extent consistent with the Contract Documents and reasonably inferable from them as being necessary to produce the indicated results.

REVISIONS

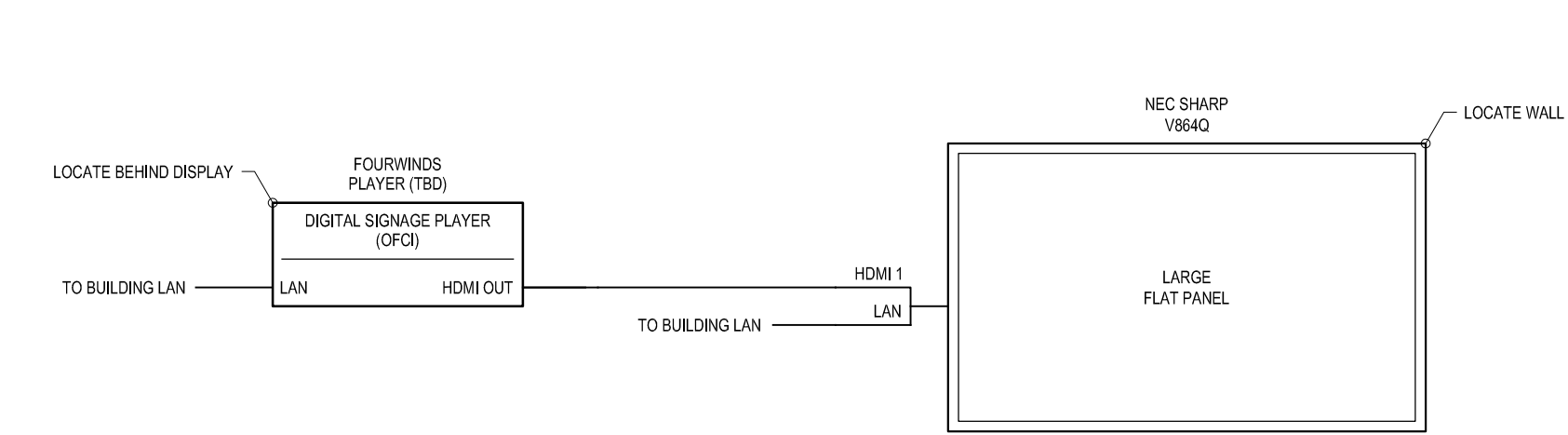
AUDIOVISUAL SYSTEMS COVER SHEET



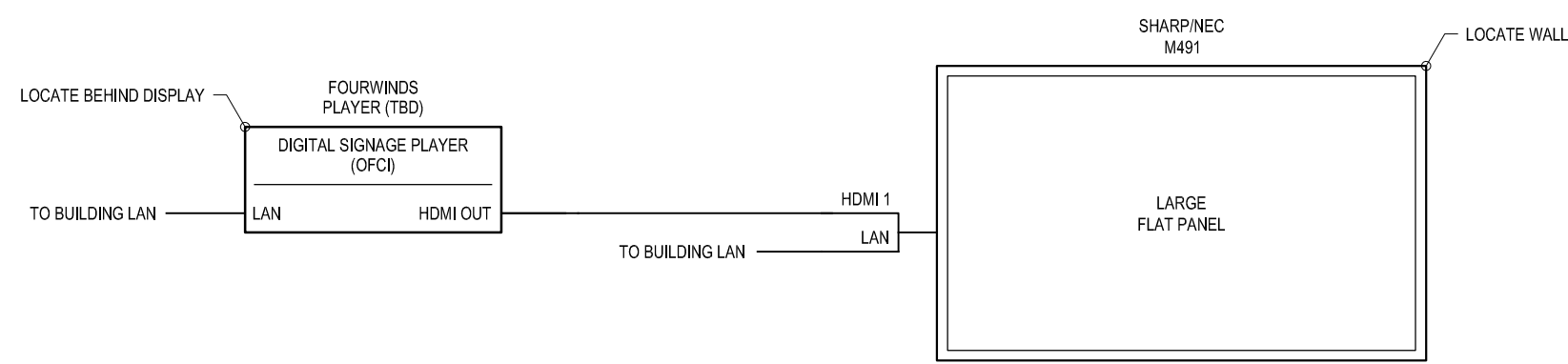
1 SY01 - 65" PORTRAIT MODE DIGITAL SIGNAGE (MAIN CONCOURSE) - QTY 1 - ROOM NUMBER 1019
AVS01 SCALE: NTS



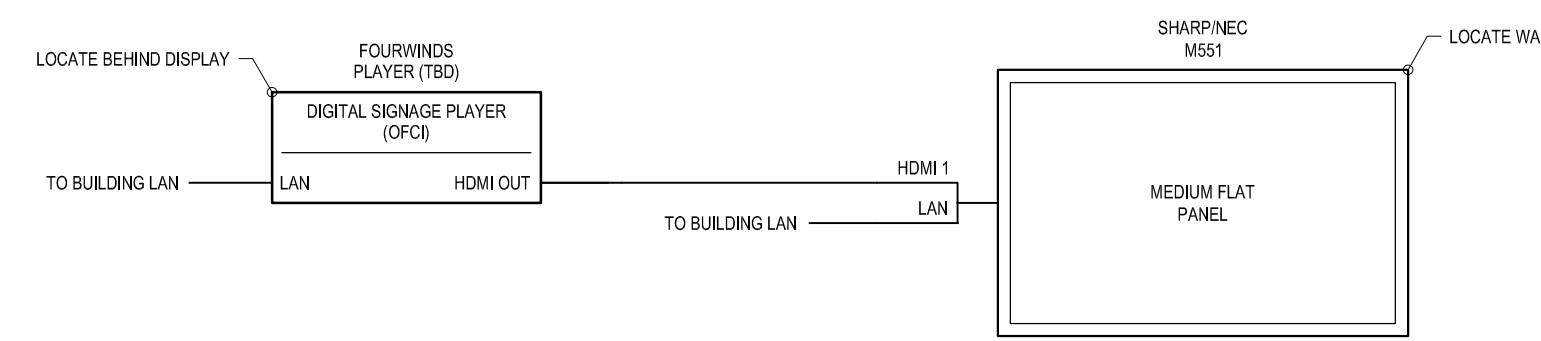
2 SY02 - 49" PORTRAIT MODE DIGITAL SIGNAGE (ELEVATOR LOBBY) - QTY 8 - ROOM NUMBER 1019, 2087, 3043, 4131, 5002, 6002, 7002, 8002
AVS01 SCALE: NTS



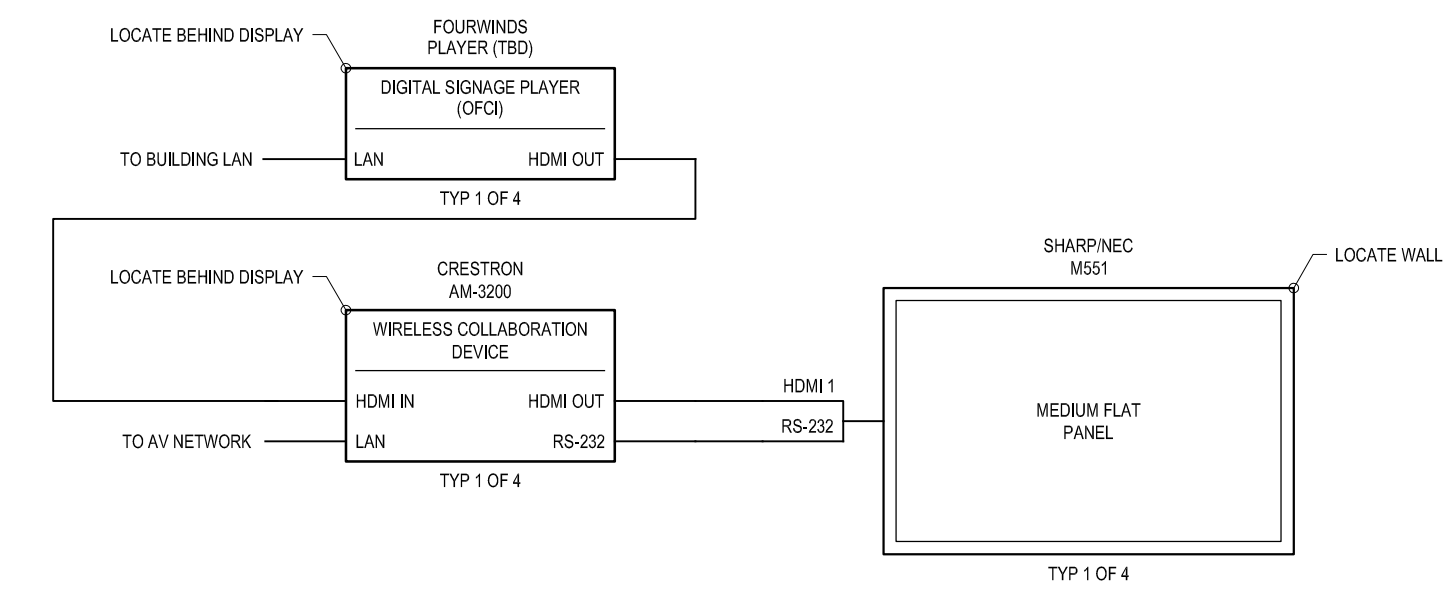
3 SY03 - 86" DIGITAL SIGNAGE (LOBBY) - QTY 1 - ROOM NUMBER 1000
AVS01 SCALE: NTS



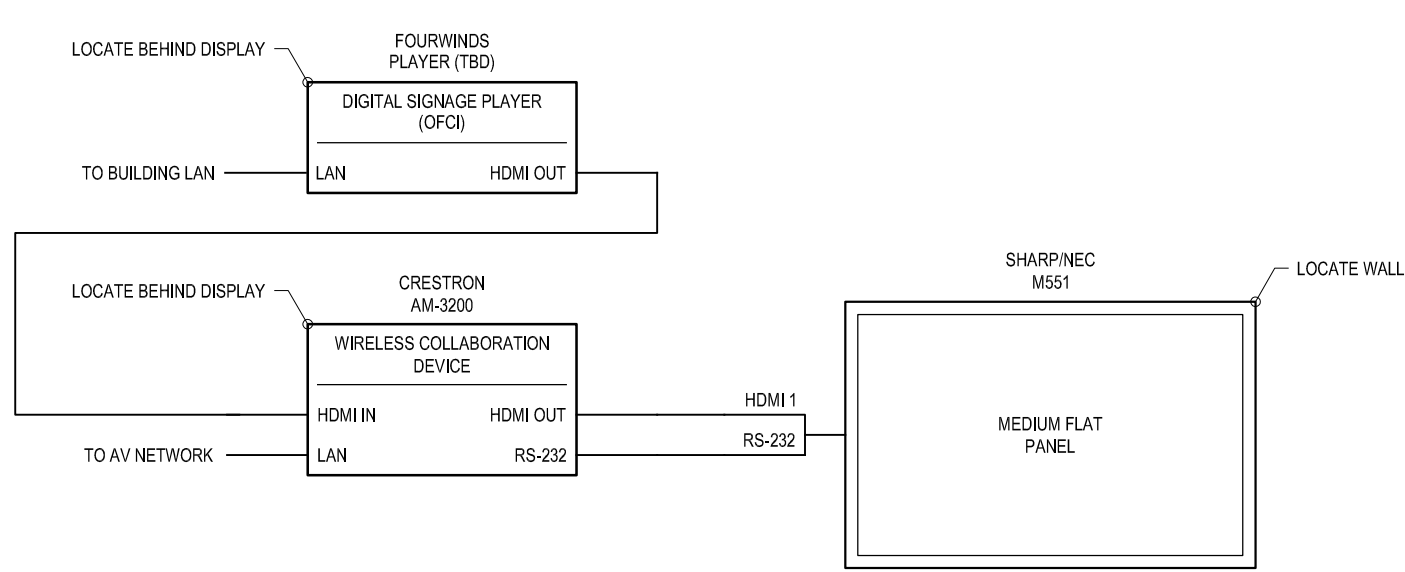
4 SY04 - 49" DIGITAL SIGNAGE (TESTING LAB RECEPTION) - QTY 1 - ROOM NUMBER 4107
AVS01 SCALE: NTS



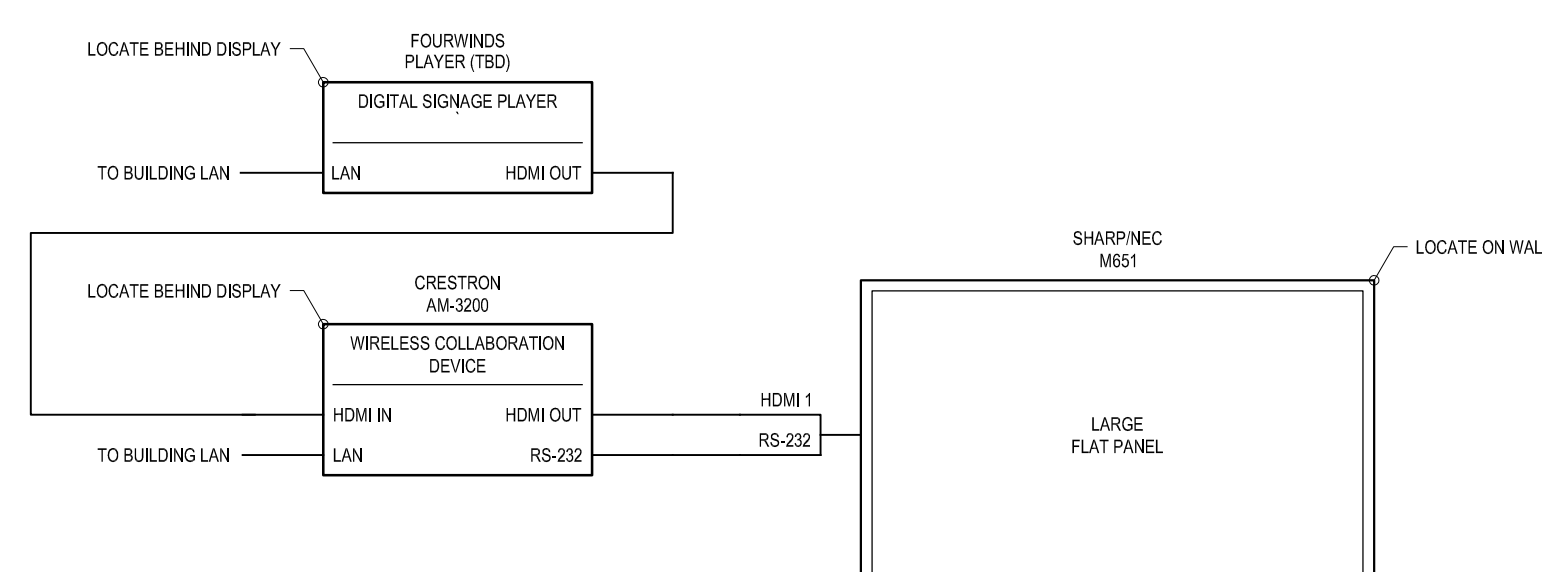
5 SY05 - 55" DIGITAL SIGNAGE (CORRIDOR) - QTY 1 - ROOM NUMBER 2090
AVS01 SCALE: NTS



6 SY06 - 55" DIGITAL SIGNAGE AND COLLABORATION (MAIN CONCOURSE) - QTY 1 - ROOM NUMBER 1019
AVS01 SCALE: NTS



7 SY07 - 55" DIGITAL SIGNAGE AND COLLABORATION (RECEPTION) - QTY 1 - ROOM NUMBER 1130
AVS01 SCALE: NTS



8 SY08 - 65" DIGITAL SIGNAGE AND COLLABORATION (COMMUNAL SPACE) - QTY 6 - ROOM NUMBER 2080, 4208, 5008, 6008, 7008, 8008
AVS01 SCALE: NTS

**REPURPOSING INTERIM HOSPITAL
LOUISIANA STATE UNIVERSITY
MEDICAL CENTER**

2021 PERDIDO ST, NEW ORLEANS, LOUISIANA 70112
FP&C PROJECT NO. | 19-604N-16-01, PT. 01, F.19001156;
F.19.002168-01-107-05B-13, F.01003750; & 19-604N-05-05,
F.19002231 (SUPPLEMENT)

EDR PROJECT NO. | 16053

PROJECT ISSUE DATE | 28 OCTOBER 2021

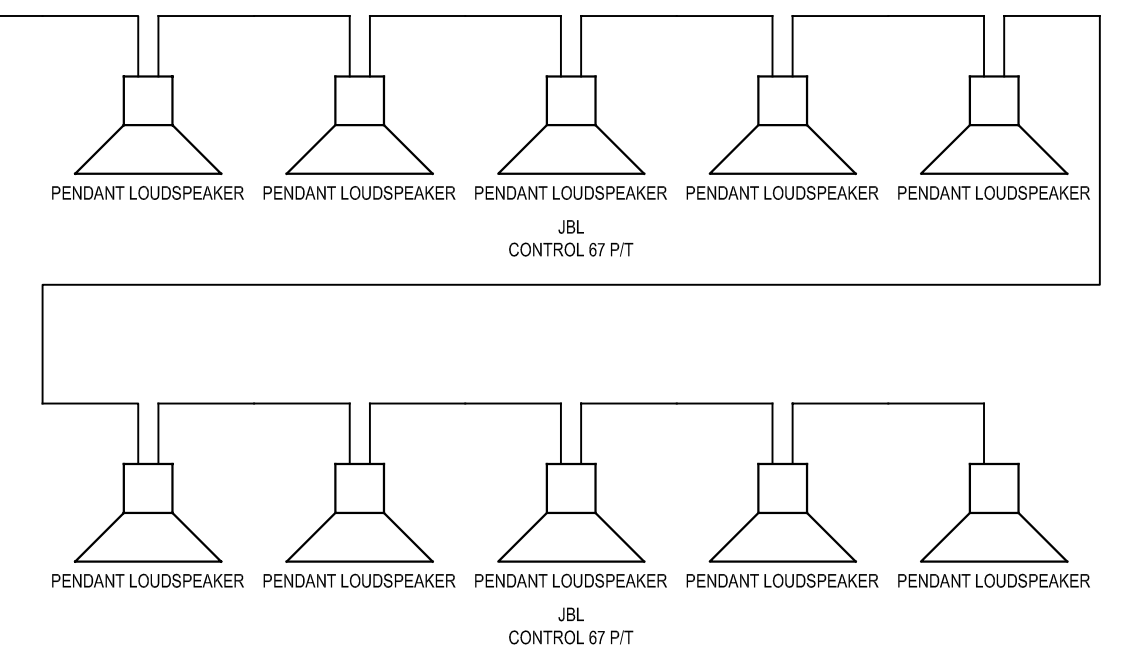
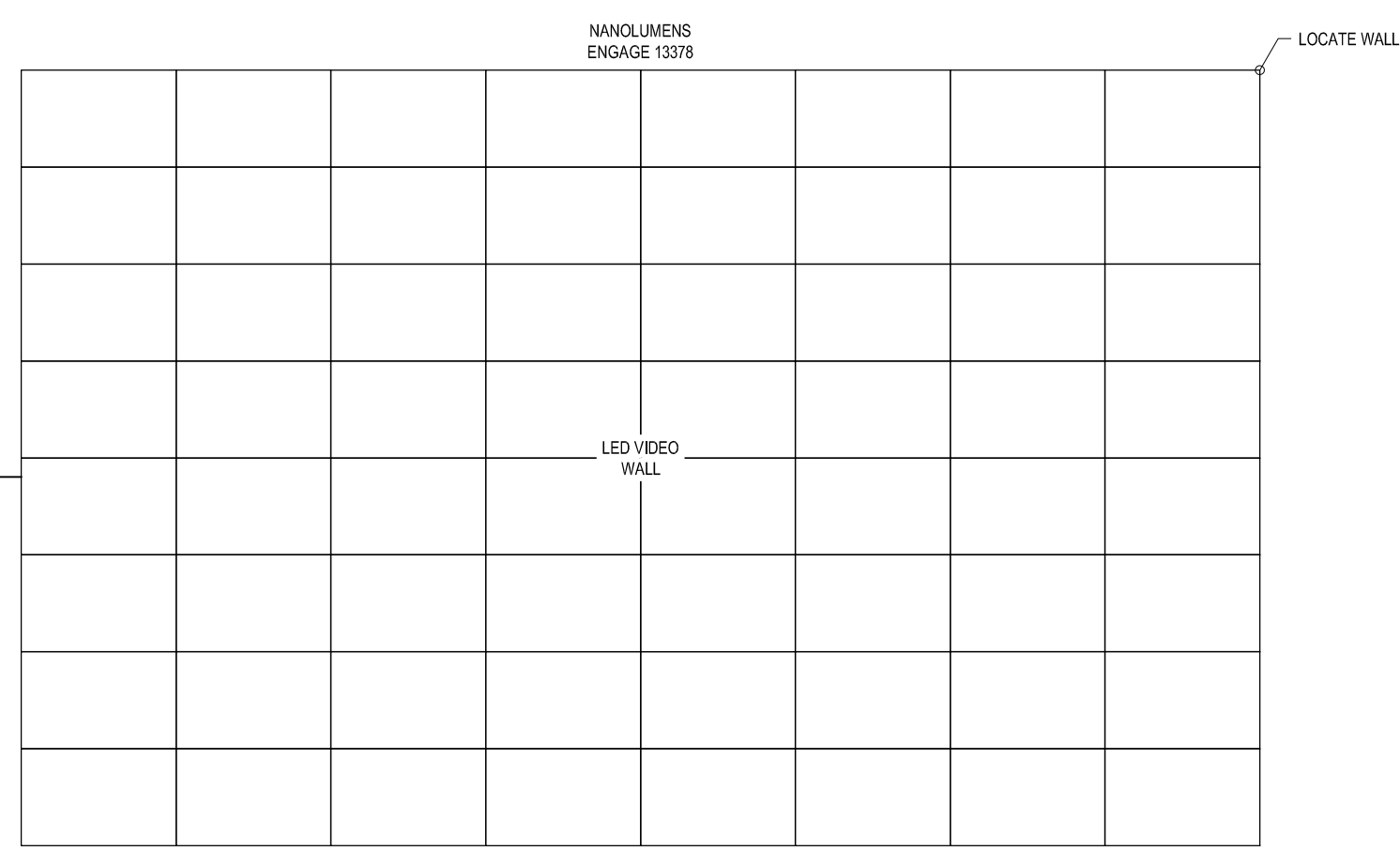
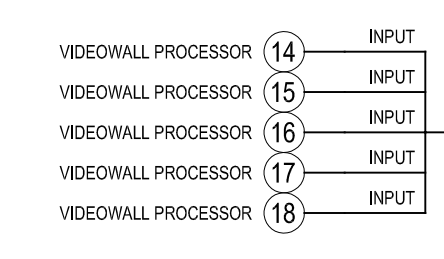
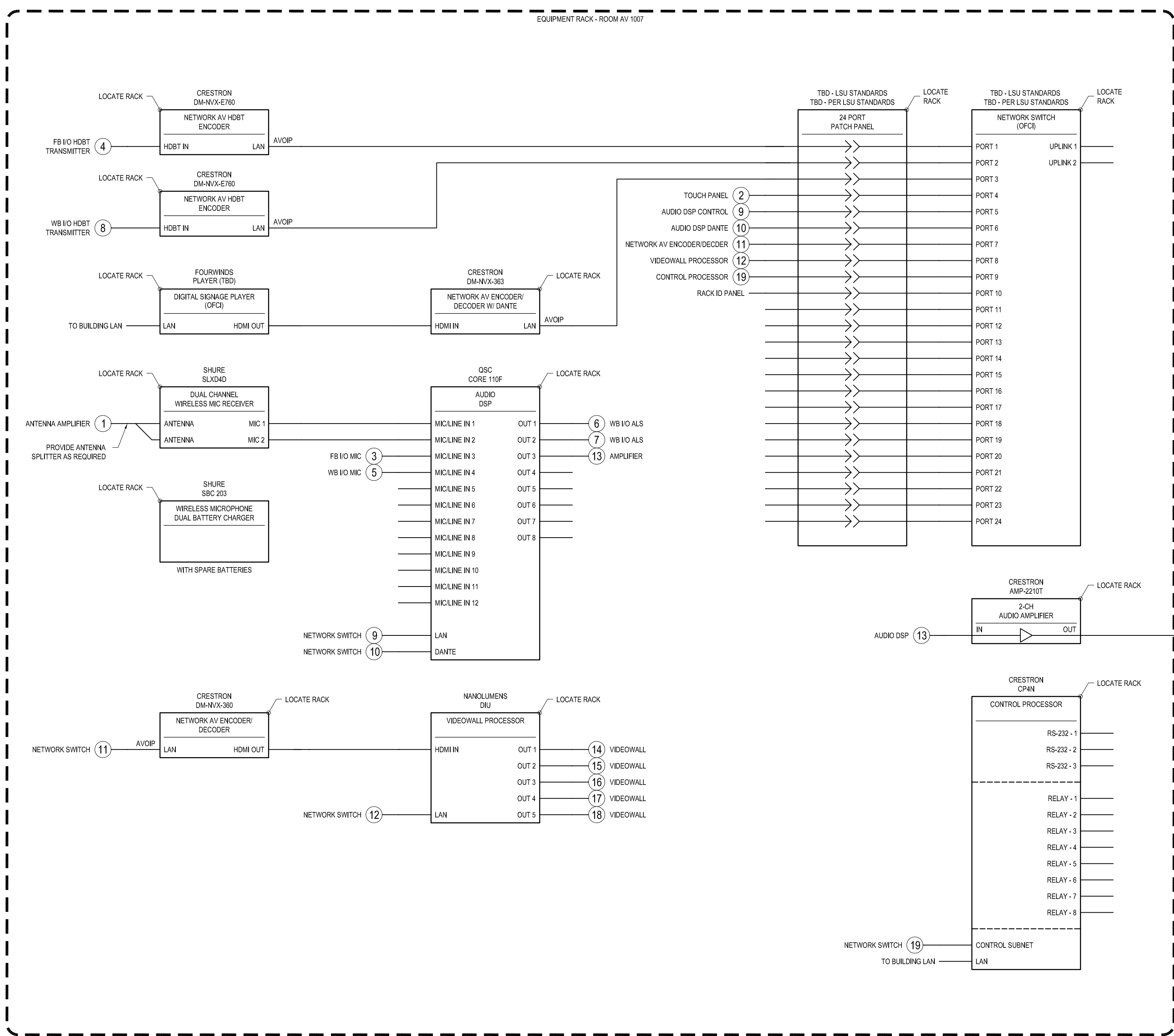
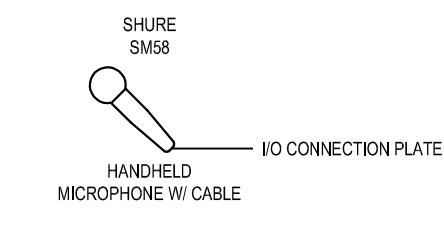
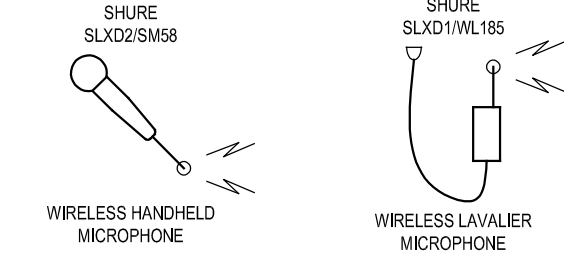
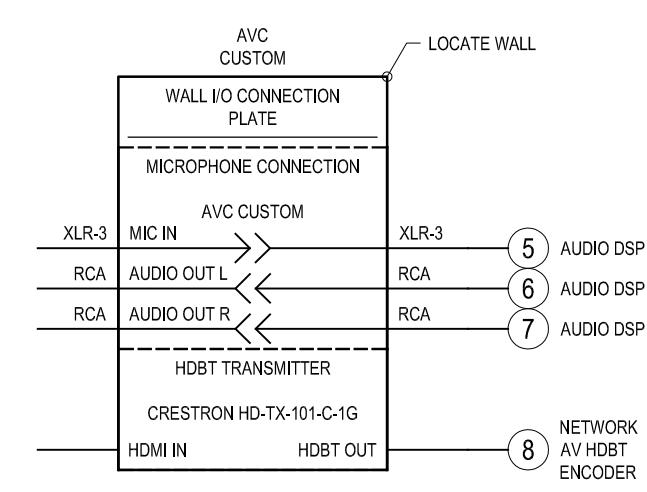
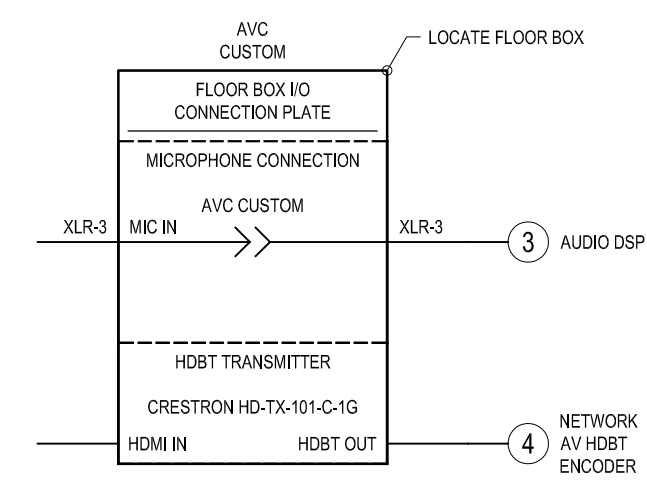
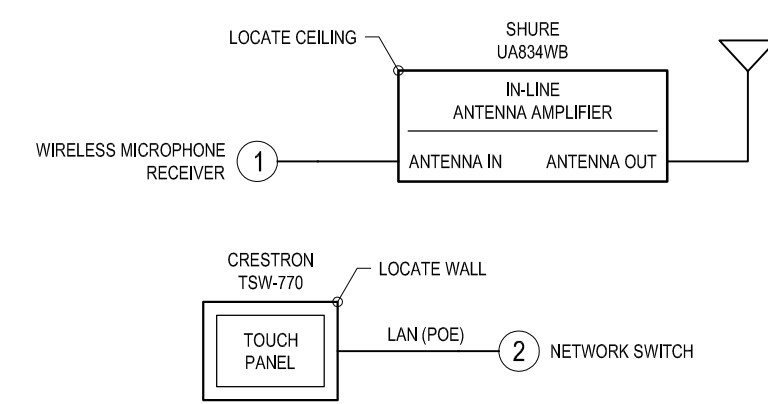
AUDIOVISUAL SYSTEMS

© Eskew+Dumez+Ripple 2019
A Professional Corporation

The intent of the Contract Documents is to include all items necessary for proper execution and completion of the work by Contractor. The Contract Documents are complementary, and what is required by one shall be as binding as if required by all; performance by the Contractor shall be required only to the extent consistent with the Contract Documents and reasonably inferable from them as being necessary to produce the indicated results.

REVISIONS

**AUDIOVISUAL SYSTEMS
SY01, SY02, SY03, SY04,
SY05, SY06, SY07, SY08**



1 SY09 - MULTI-PURPOSE - QTY 1 - ROOM NUMBER 1001
AVS02 SCALE: NTS

**REPURPOSING INTERIM HOSPITAL
LOUISIANA STATE UNIVERSITY
MEDICAL CENTER**

2021 PERDIDO ST, NEW ORLEANS, LOUISIANA 70112
FP&C PROJECT NO. | 19-604N-16-01, PT. 01, F.19001156;
F.19.002168-01-107-05B-13, F.01003750; & 19-604N-05-05,
F.19002231 (SUPPLEMENT)
EDR PROJECT NO. | 16053

PROJECT ISSUE DATE | 28 OCTOBER 2021

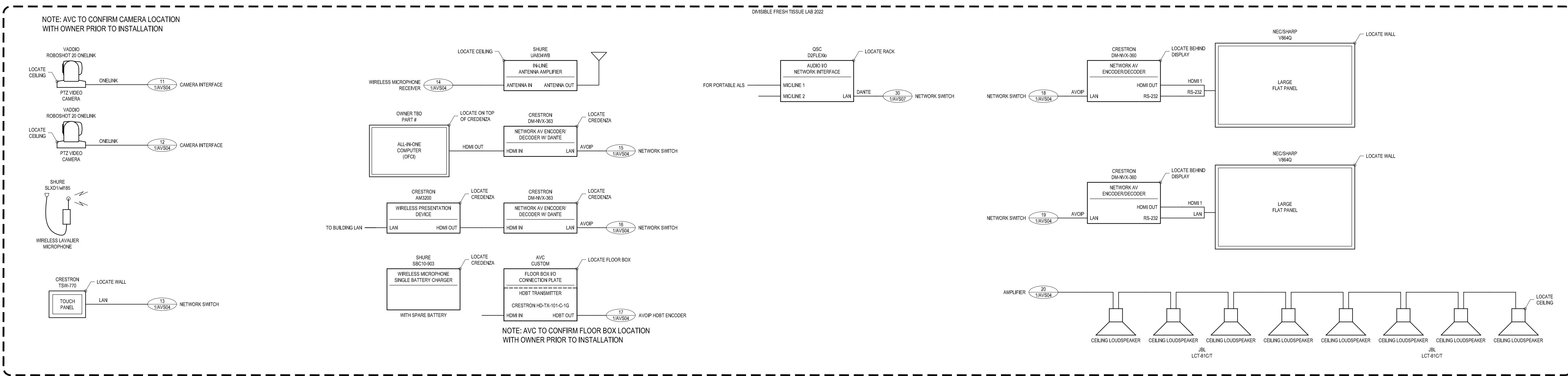
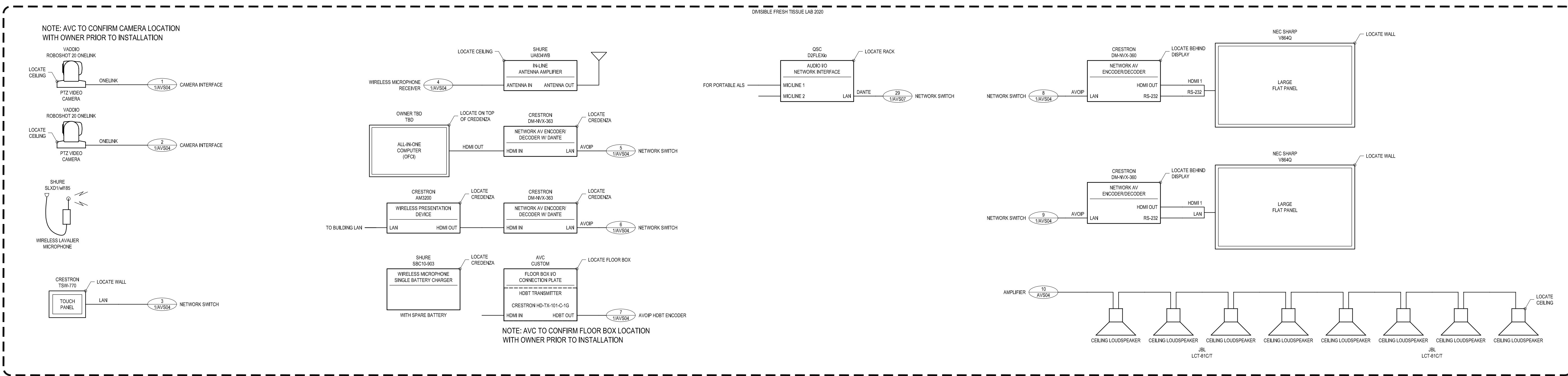
AUDIOVISUAL SYSTEMS

© Eskew+Dumez+Ripple 2019
A Professional Corporation

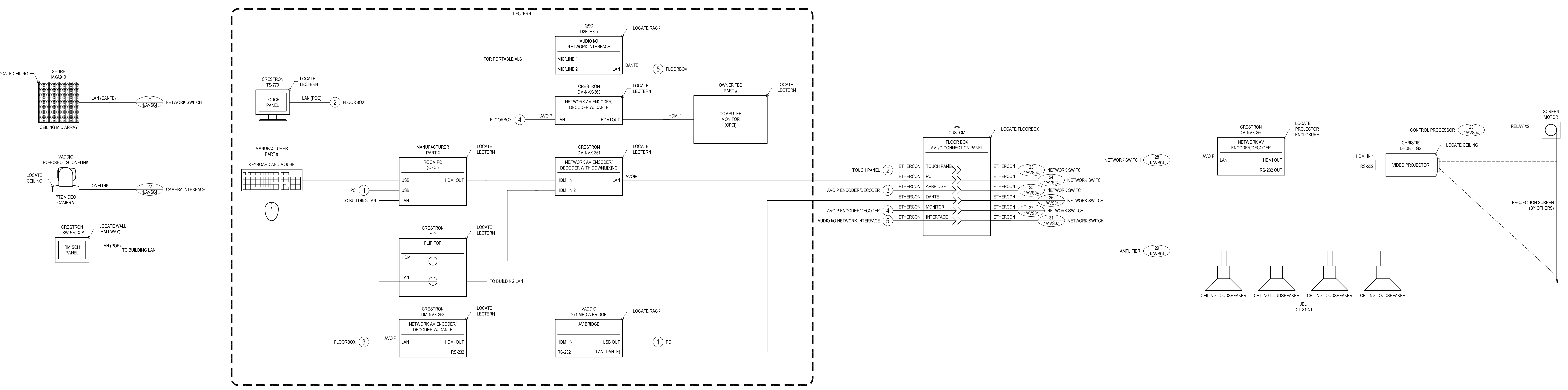
The intent of the Contract Documents is to include all items necessary for proper execution and completion of the work by Contractor. The Contract Documents are complementary, and what is required by one shall be as binding as if required by all; performance by the Contractor shall be required only to the extent consistent with the Contract Documents and reasonably inferable from them as being necessary to produce the indicated results.

REVISIONS

**AUDIOVISUAL SYSTEMS
SY09**



1 SY10 - FRESH TISSUE LAB A & B - QTY 1 - ROOM NUMBERS 2020, 2022
AVS03 SCALE: NTS



2 SY11 - CLASSROOM / CONFERENCE - QTY 1 - ROOM NUMBER 2002
AVS03 SCALE: NTS

**REPURPOSING INTERIM HOSPITAL
LOUISIANA STATE UNIVERSITY
MEDICAL CENTER**

2021 PERDIDO ST, NEW ORLEANS, LOUISIANA 70112
FP&C PROJECT NO. | 19-604N-16-01, PT. 01, F.19001156;
F.19.002168-01-107-05B-13, F.01003750; & 19-604N-05-05,
F.19002231 (SUPPLEMENT)
EDR PROJECT NO. | 16053

PROJECT ISSUE DATE | 28 OCTOBER 2021

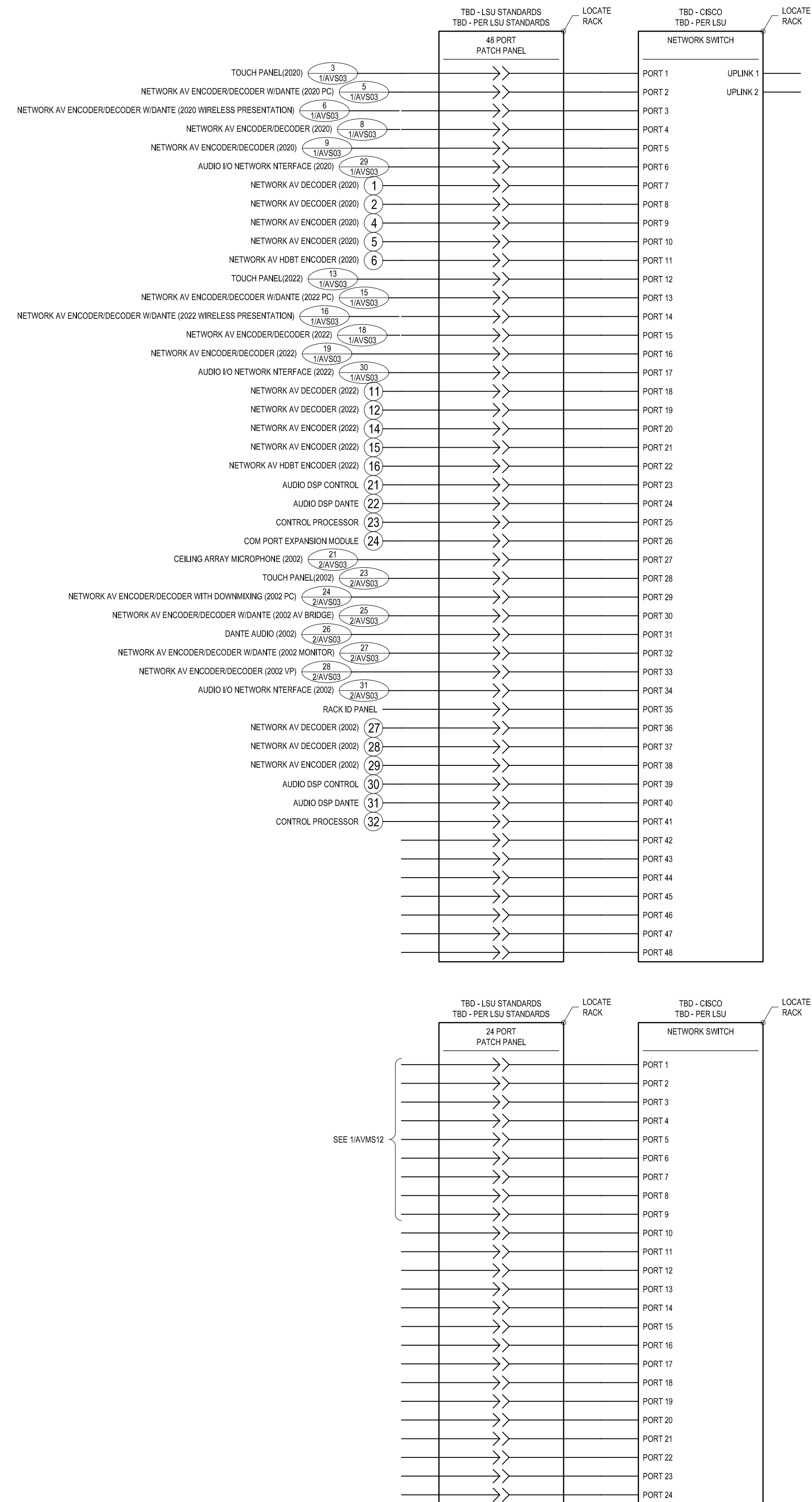
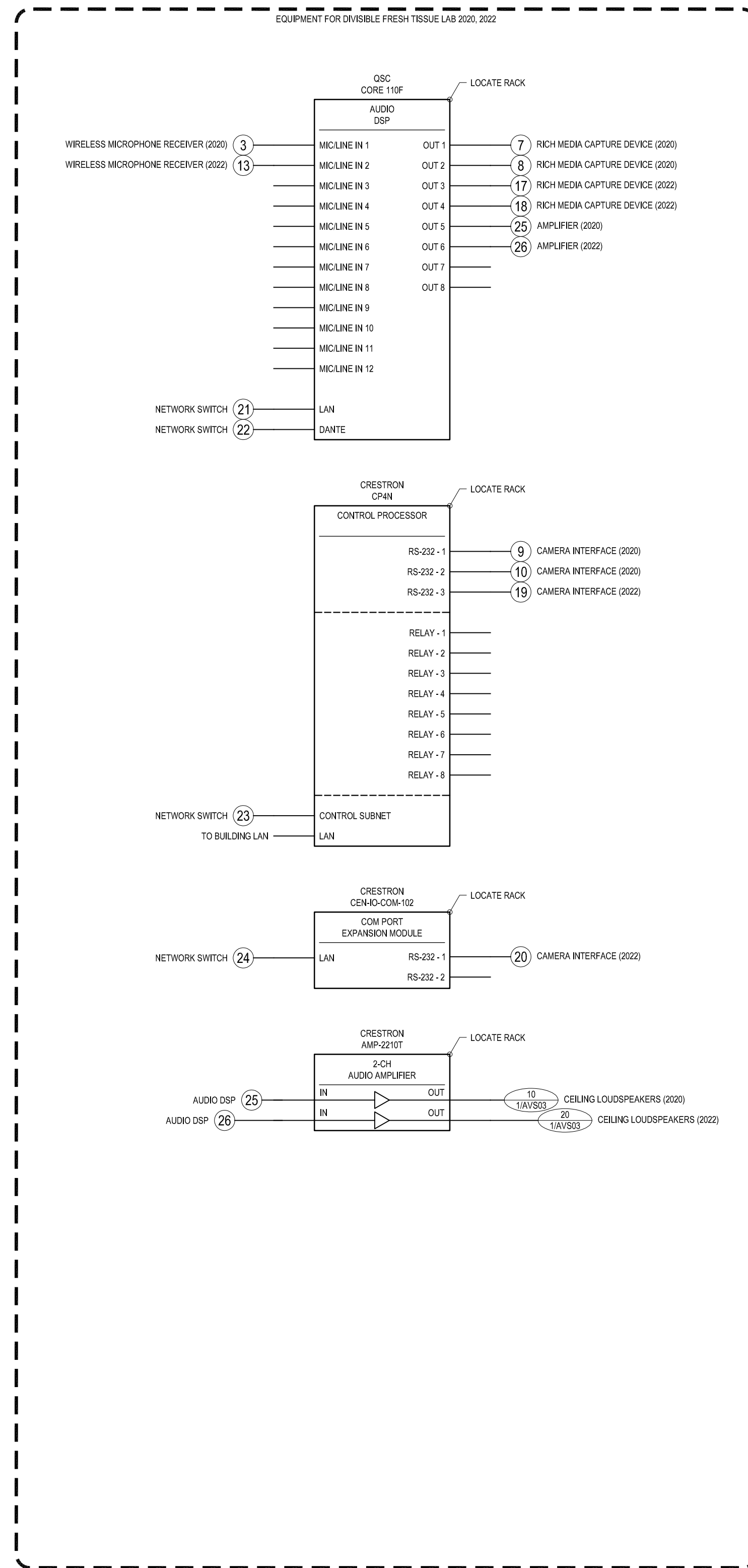
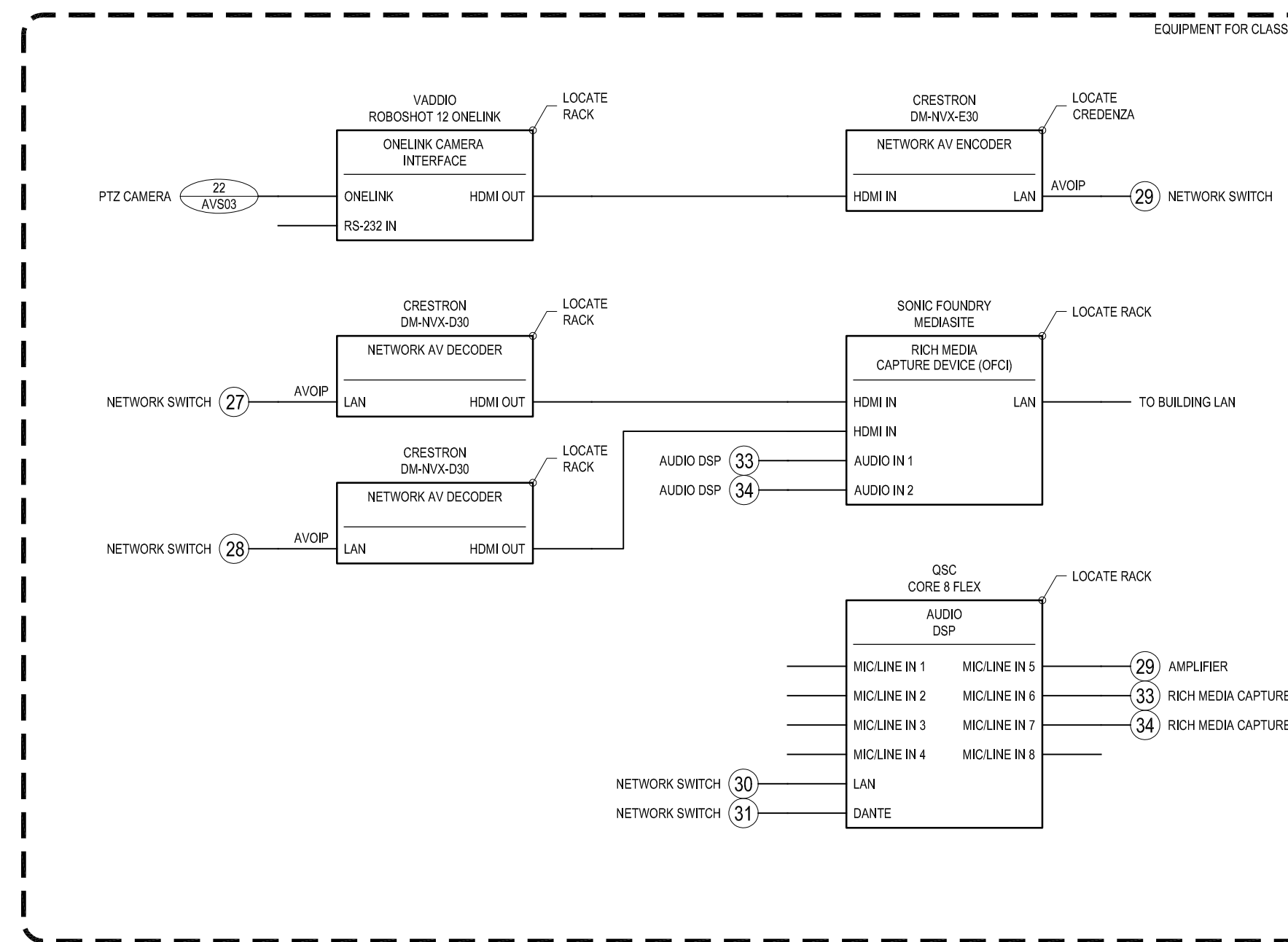
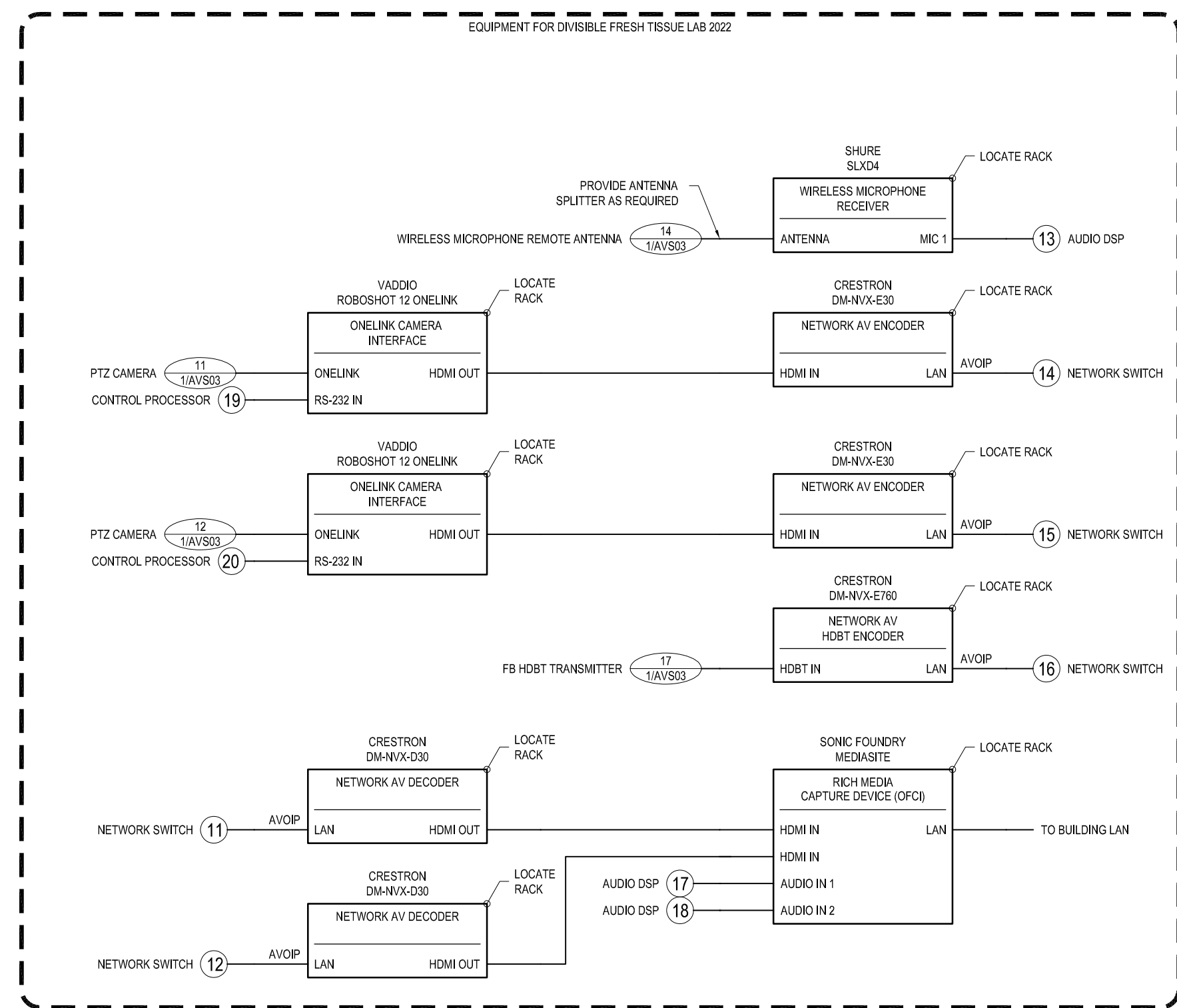
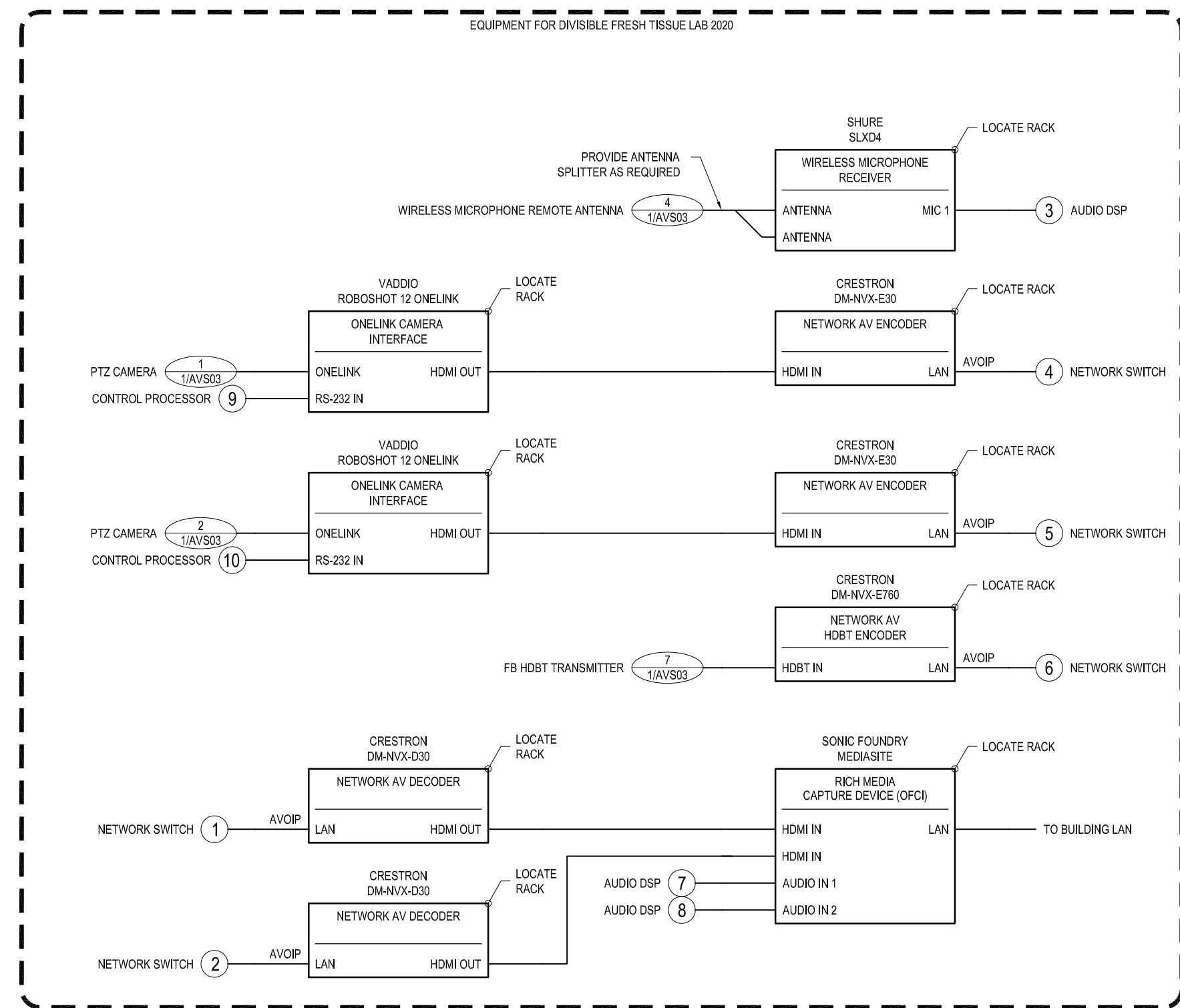
AUDIOVISUAL SYSTEMS

© Eskew+Dumez+Ripple 2019
A Professional Corporation

The intent of the Contract Documents is to include all items necessary for proper execution and completion of the work by Contractor. The Contract Documents are complementary, and what is required by one shall be as binding as if required by all; performance by the Contractor shall be required only to the extent consistent with the Contract Documents and reasonably inferable from them as being necessary to produce the indicated results.

REVISIONS

**AUDIOVISUAL SYSTEMS
SY10, SY11**



REPURPOSING INTERIM HOSPITAL
LOUISIANA STATE UNIVERSITY
MEDICAL CENTER

2021 PERDIDO ST, NEW ORLEANS, LOUISIANA 70112
FP&C PROJECT NO. | 19-604N-16-01, PT. 01, F.19001156;
F.19.002168-01-107-05B-13, F.01003750; & 19-604N-05-05,
F.19002231 (SUPPLEMENT)

EDR PROJECT NO. | 16053

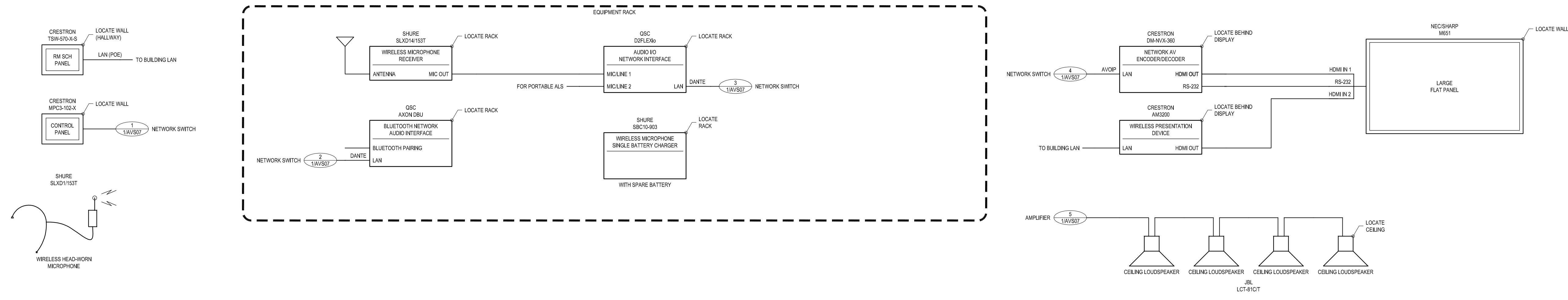
PROJECT ISSUE DATE | 28 OCTOBER 2021

AUDIOVISUAL SYSTEMS

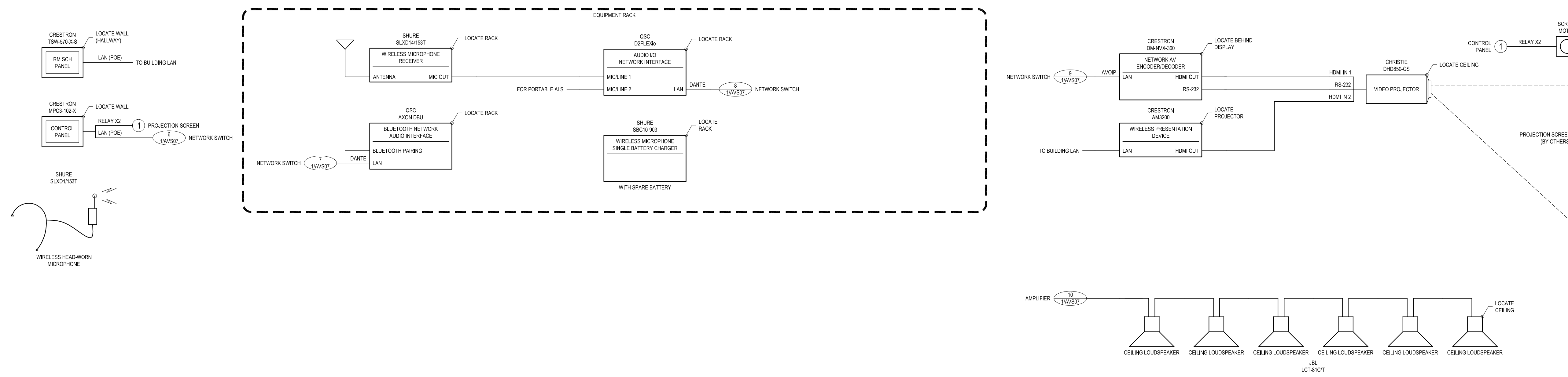
© Eskew+Dumez+Ripple 2019
A Professional Corporation

The intent of the Contract Documents is to include all items necessary for proper execution and completion of the work by Contractor. The Contract Documents are complementary, and what is required by one shall be as binding as if required by all; performance by the Contractor shall be required only to the extent consistent with the Contract Documents and reasonably inferable from them as being necessary to produce the indicated results.

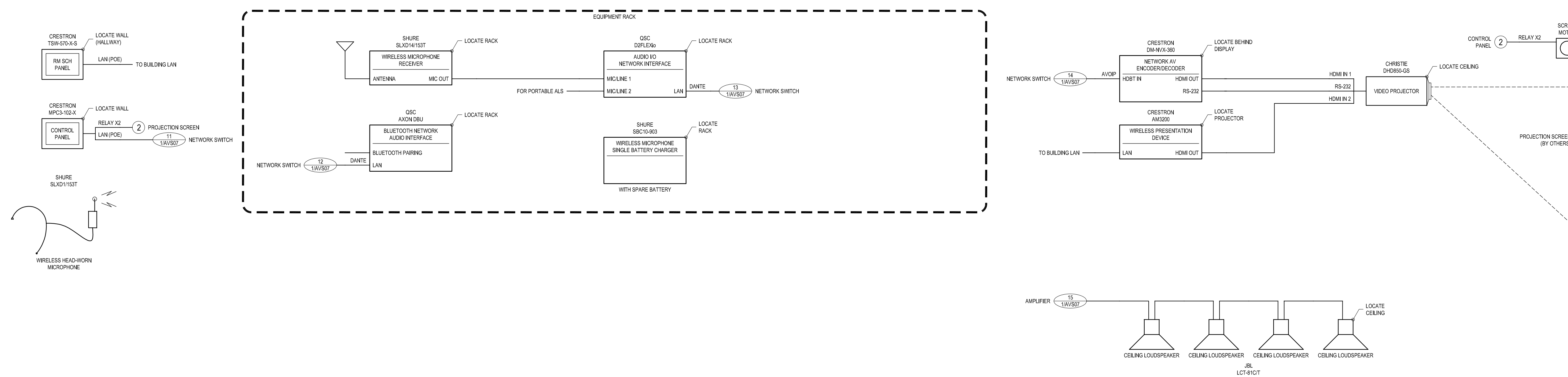
REVISIONS



1 SY13 - GROUP FITNESS - QTY 1 - ROOM NUMBER 3036
AVS05 SCALE: NTS



2 SY14 - GROUP FITNESS - QTY 1 - ROOM NUMBER 3037
AVS05 SCALE: NTS



3 SY15 - SPINNING - QTY 1 - ROOM NUMBER 3039
AVS05 SCALE: NTS

**REPURPOSING INTERIM HOSPITAL
LOUISIANA STATE UNIVERSITY
MEDICAL CENTER**

2021 PERDIDO ST, NEW ORLEANS, LOUISIANA 70112
FP&C PROJECT NO. | 19-604N-16-01, PT. 01, F.19001156;
F.19.002168-01-107-05B-13, F.01003750; & 19-604N-05-05,
F.19002231 (SUPPLEMENT)

EDR PROJECT NO. | 16053

PROJECT ISSUE DATE | 28 OCTOBER 2021

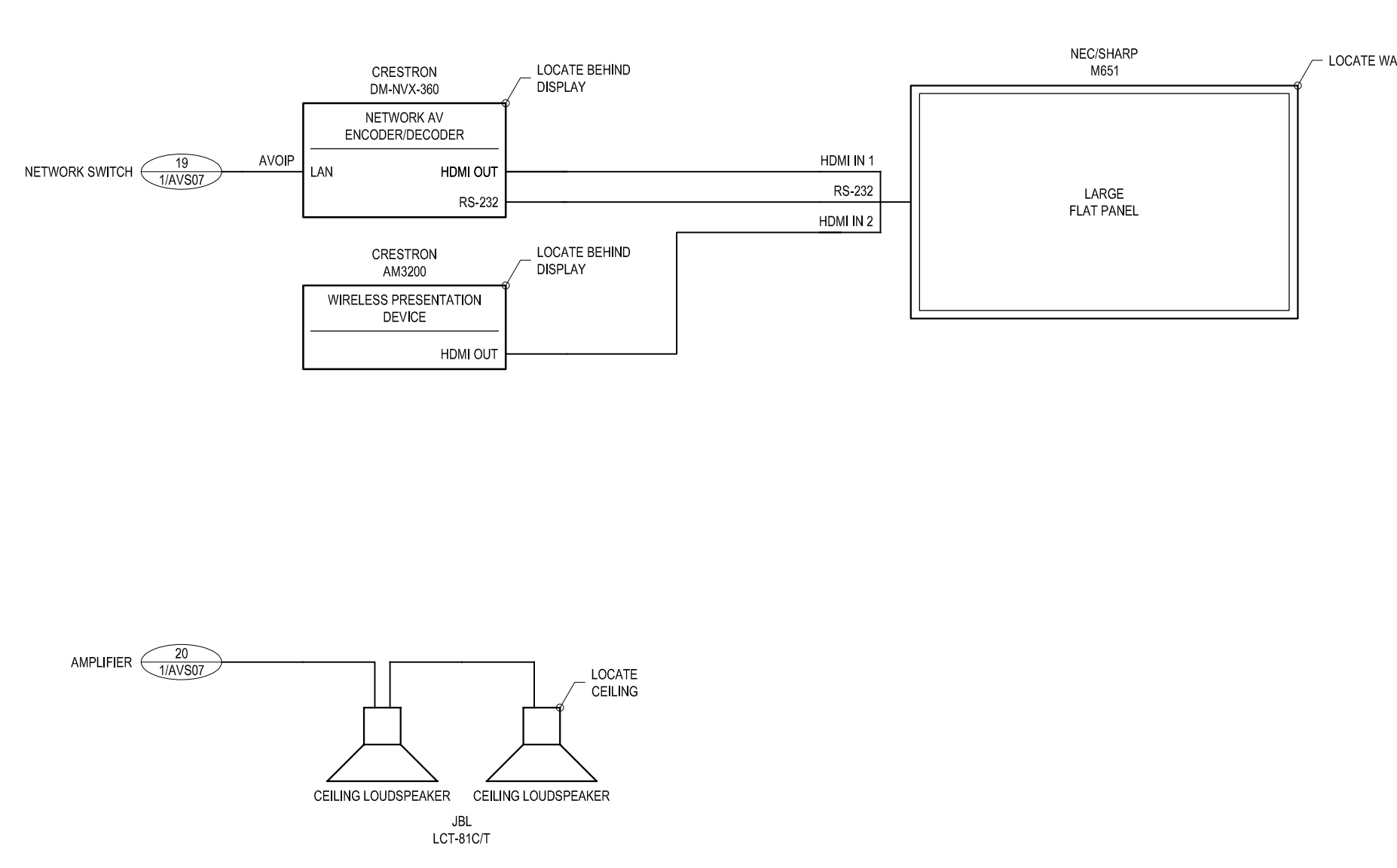
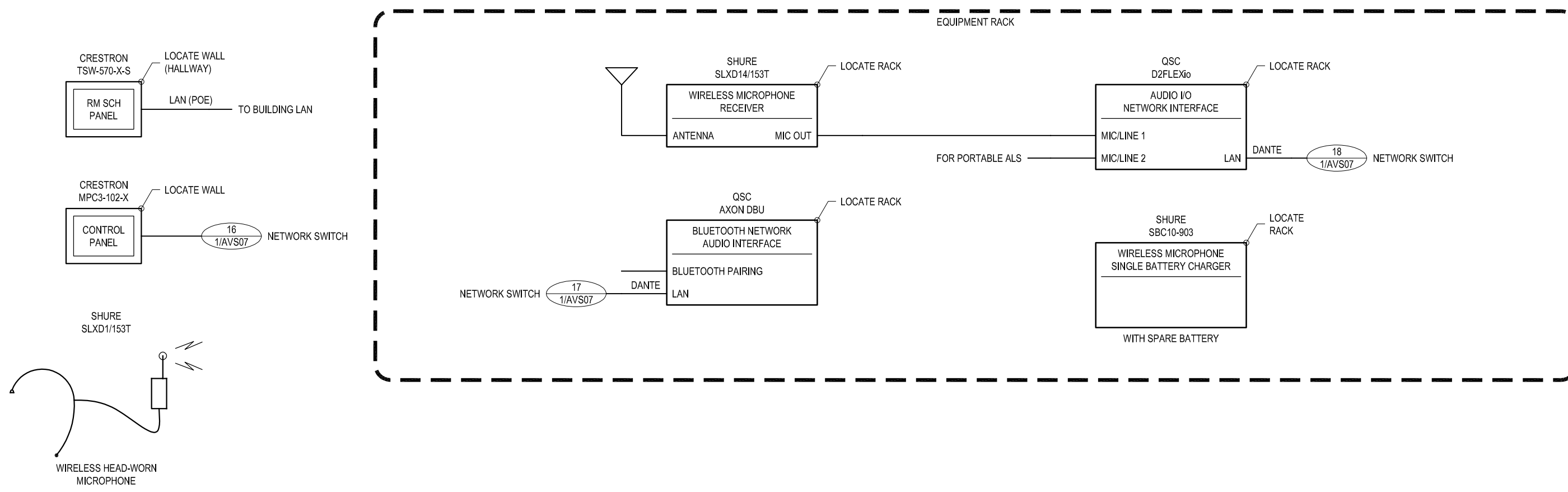
AUDIOVISUAL SYSTEMS

© Eskew+Dumez+Ripple 2019
A Professional Corporation

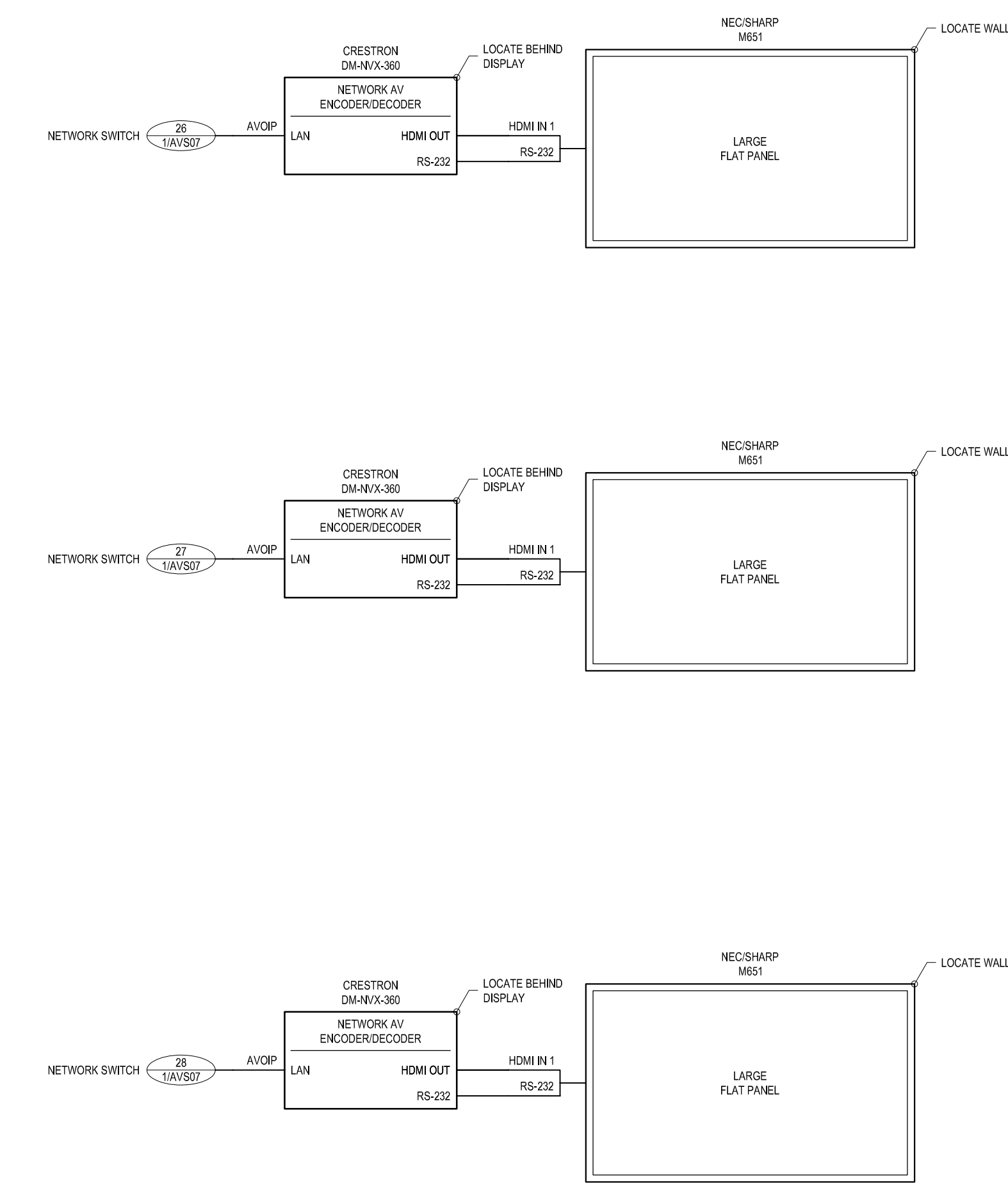
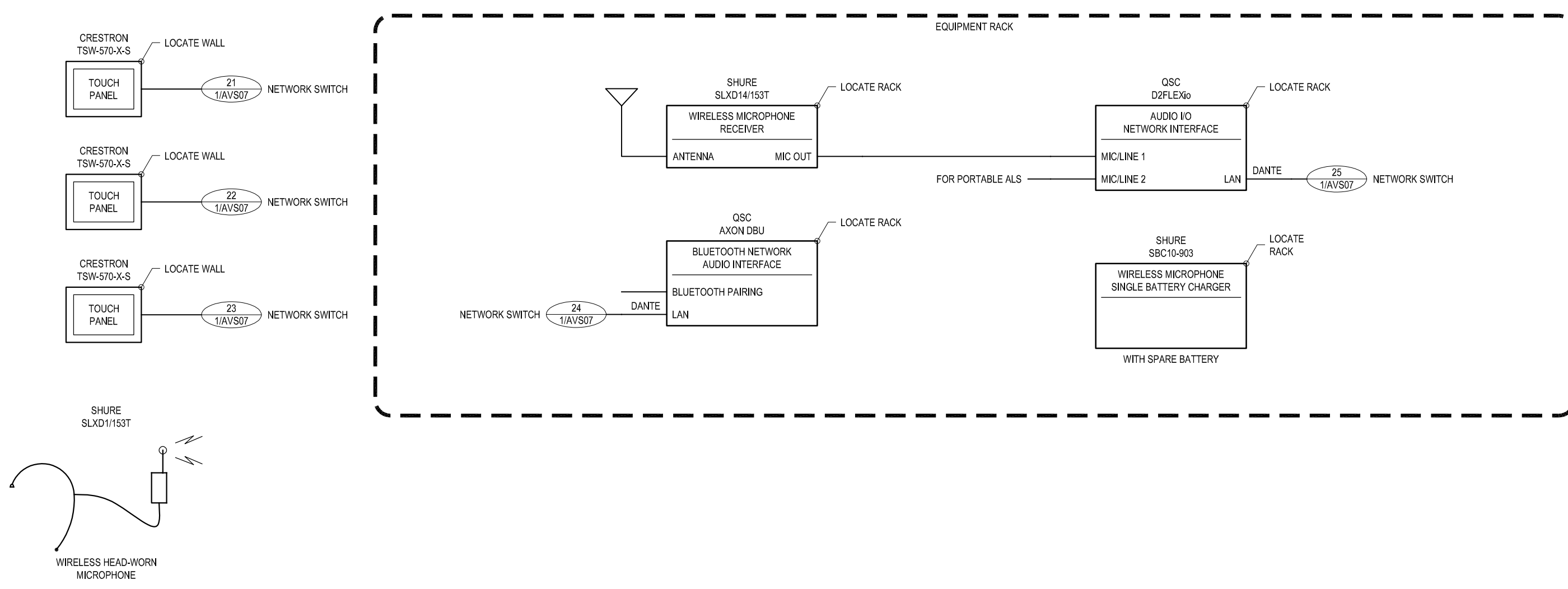
The intent of the Contract Documents is to include all items necessary for proper execution and completion of the work by Contractor. The Contract Documents are complementary, and what is required by one shall be as binding as if required by all; performance by the Contractor shall be required only to the extent consistent with the Contract Documents and reasonably inferable from them as being necessary to produce the indicated results.

REVISIONS

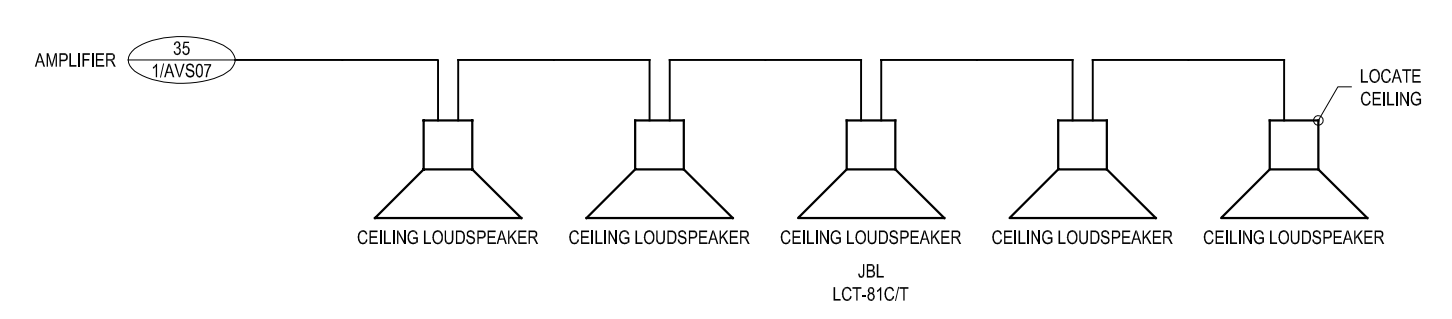
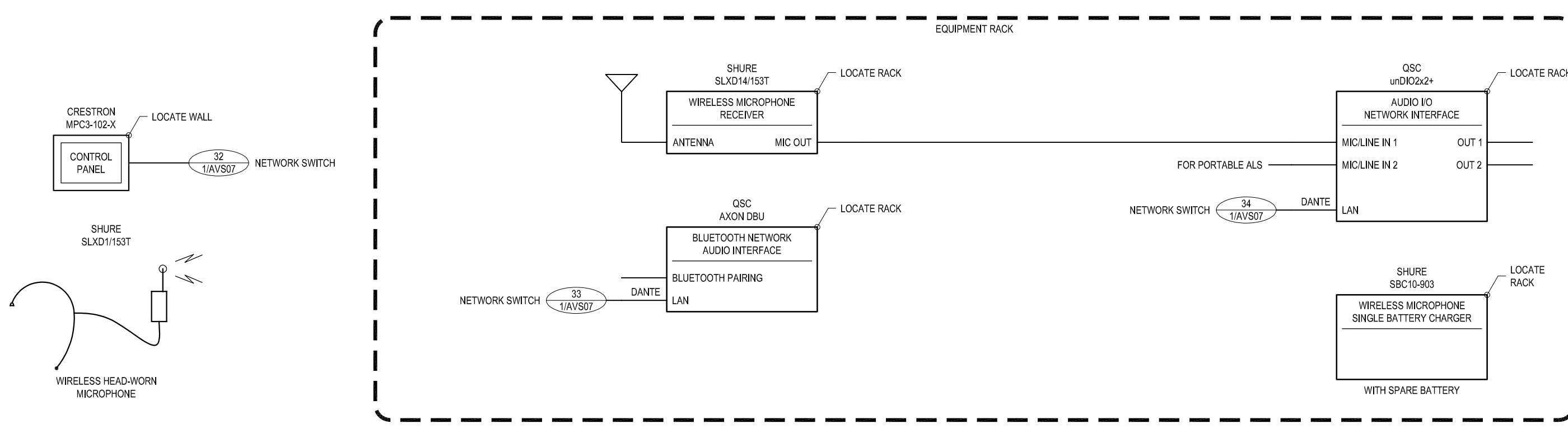
**AUDIOVISUAL SYSTEMS
SY13, SY14, SY15**



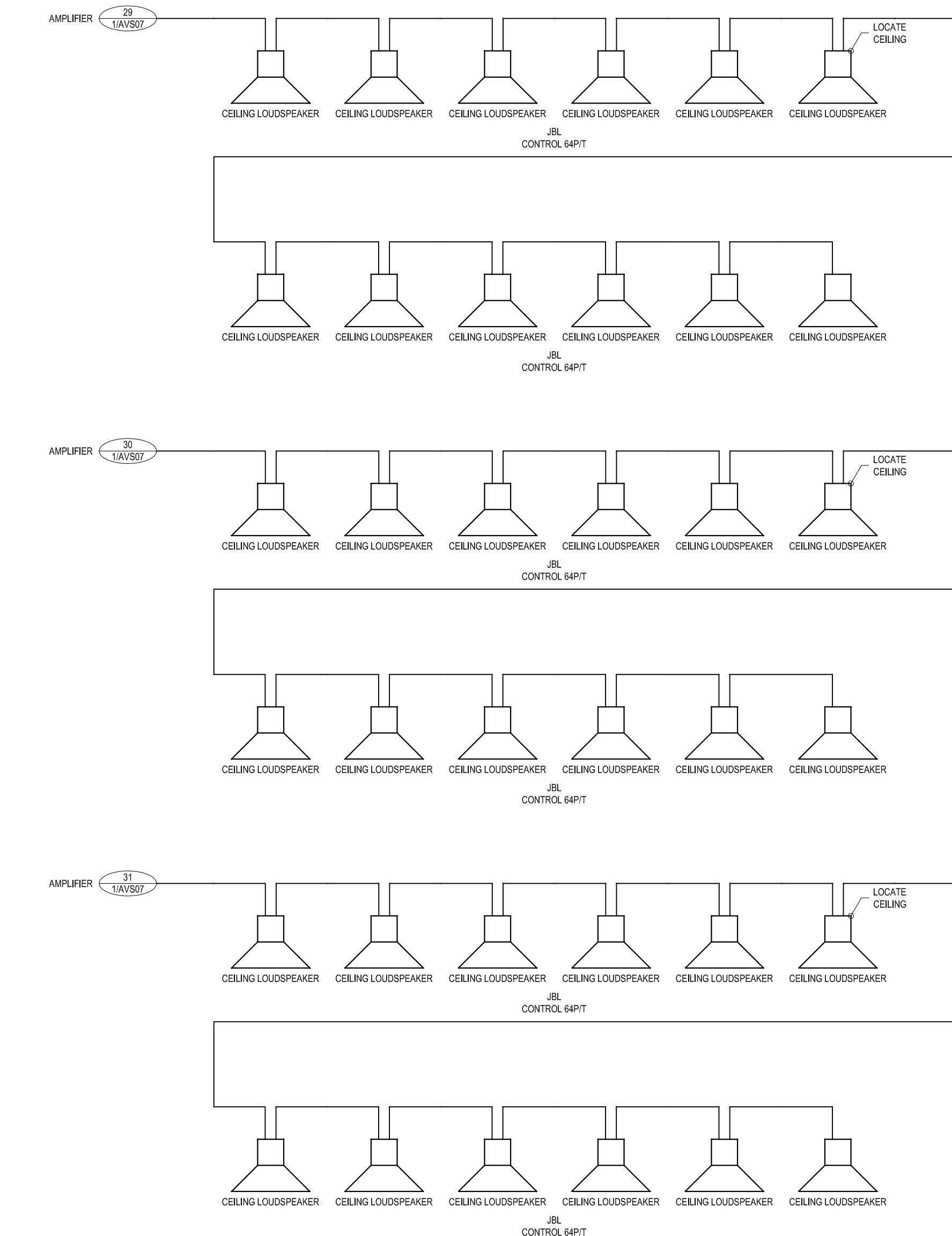
1 SY16 - SMALL GROUP - QTY 1 - ROOM NUMBER 3040
AVS06 SCALE: NTS



2 SY17 - PIN-LOADED MACHINES/CARDIO - QTY 1 - ROOM NUMBER 3038
AVS06 SCALE: NTS



3 SY18 - CARDIO - QTY 1 - ROOM NUMBER 3034
AVS06 SCALE: NTS



**REPURPOSING INTERIM HOSPITAL
LOUISIANA STATE UNIVERSITY
MEDICAL CENTER**

2021 PERDIDO ST, NEW ORLEANS, LOUISIANA 70112
FP&C PROJECT NO. | 19-604N-16-01, PT. 01, F.19001156;
F.19.002166-01-107-05B-13, F.01003750; & 19-604N-05-05,
F.19002231 (SUPPLEMENT)

EDR PROJECT NO. | 16053

PROJECT ISSUE DATE | 28 OCTOBER 2021

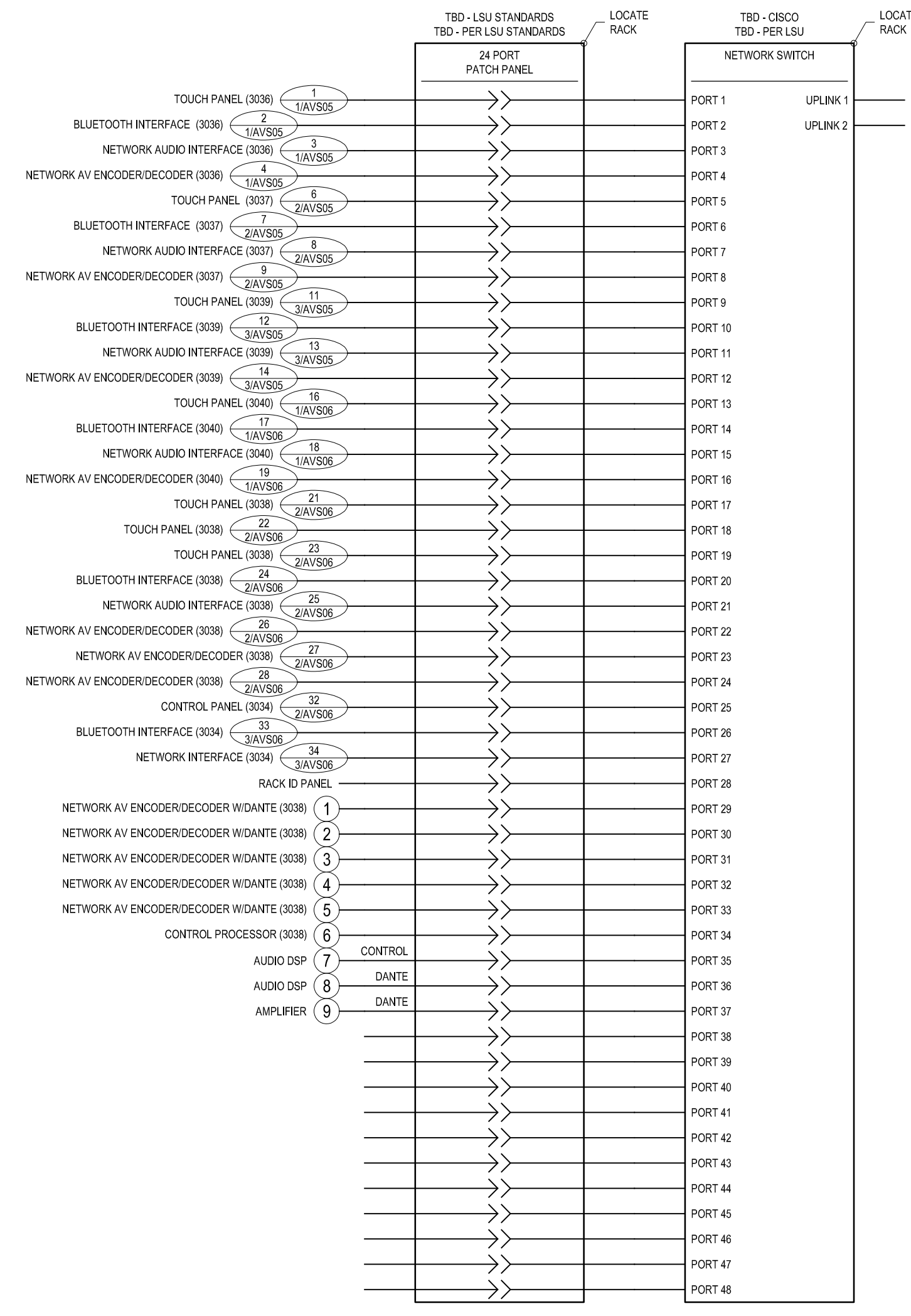
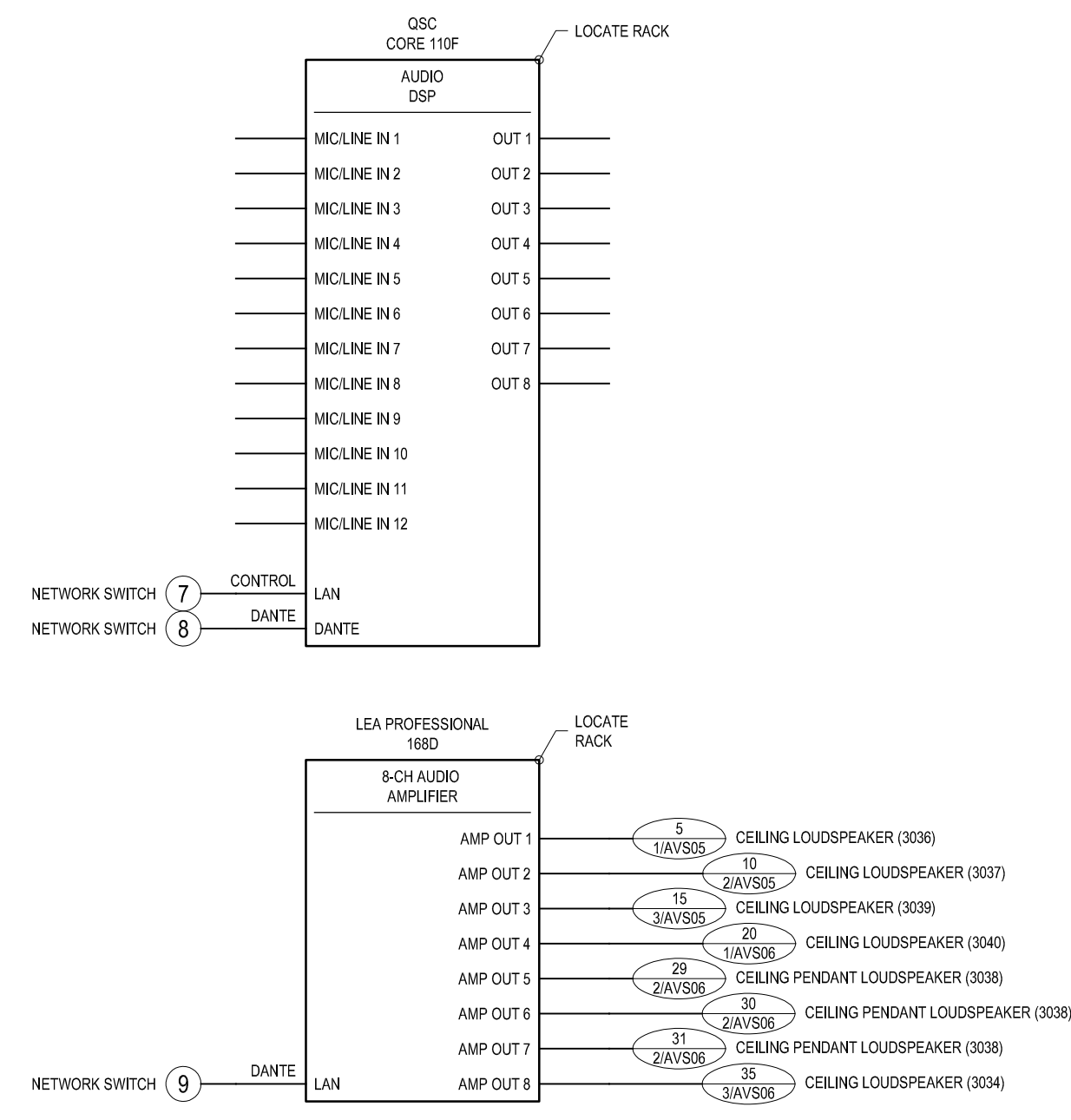
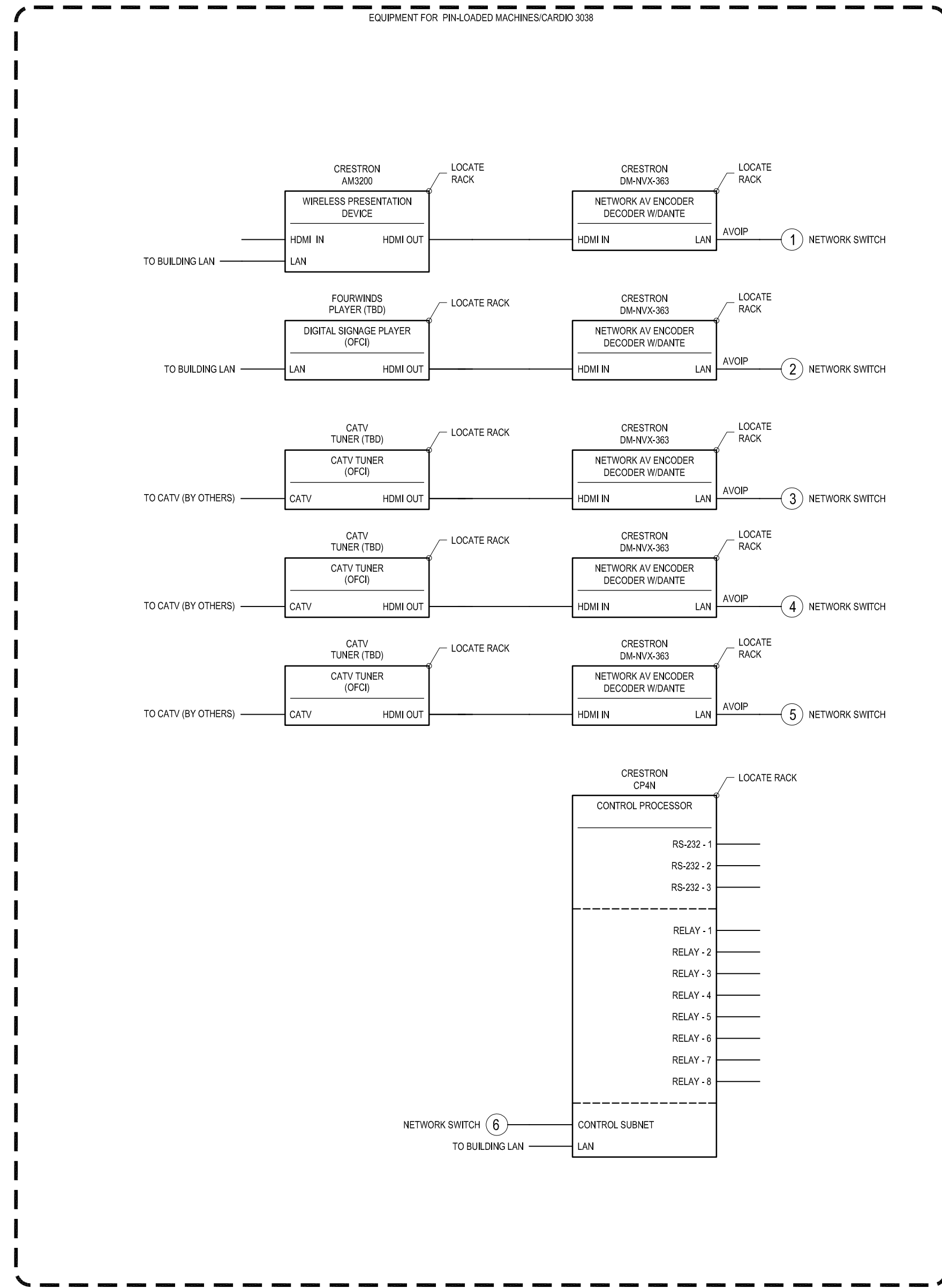
AUDIOVISUAL SYSTEMS

© Eskew+Dumez+Ripple 2019
A Professional Corporation

The intent of the Contract Documents is to include all items necessary for proper execution and completion of the work by Contractor. The Contract Documents are complementary, and what is required by one shall be as binding as if required by all; performance by the Contractor shall be required only to the extent consistent with the Contract Documents and reasonably inferable from them as being necessary to produce the indicated results.

REVISIONS

**AUDIOVISUAL SYSTEMS
SY16, SY17, SY18**



1 SY19 - AV CLOSET LEVEL 3 - QTY 1 - ROOM NUMBER 3044
AVS07 SCALE: NTS

**REPURPOSING INTERIM HOSPITAL
LOUISIANA STATE UNIVERSITY
MEDICAL CENTER**

2021 PERDIDO ST, NEW ORLEANS, LOUISIANA 70112
FP&C PROJECT NO. | 19-604N-16-01, PT. 01, F.19001156;
F.19.002168-01-107-05B-13, F.01003750; & 19-604N-05-05,
F.19002231 (SUPPLEMENT)
EDR PROJECT NO. | 16053

PROJECT ISSUE DATE | 28 OCTOBER 2021

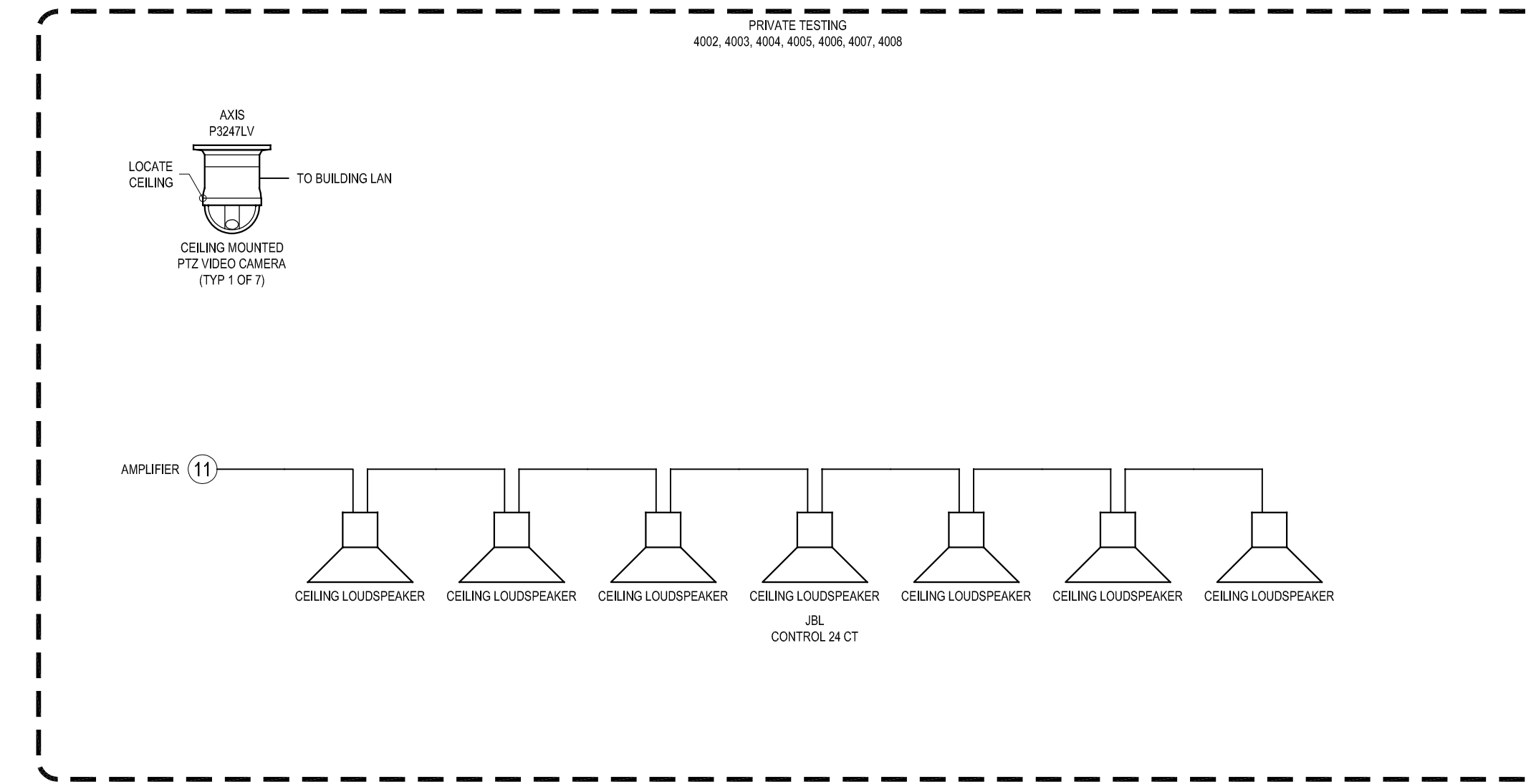
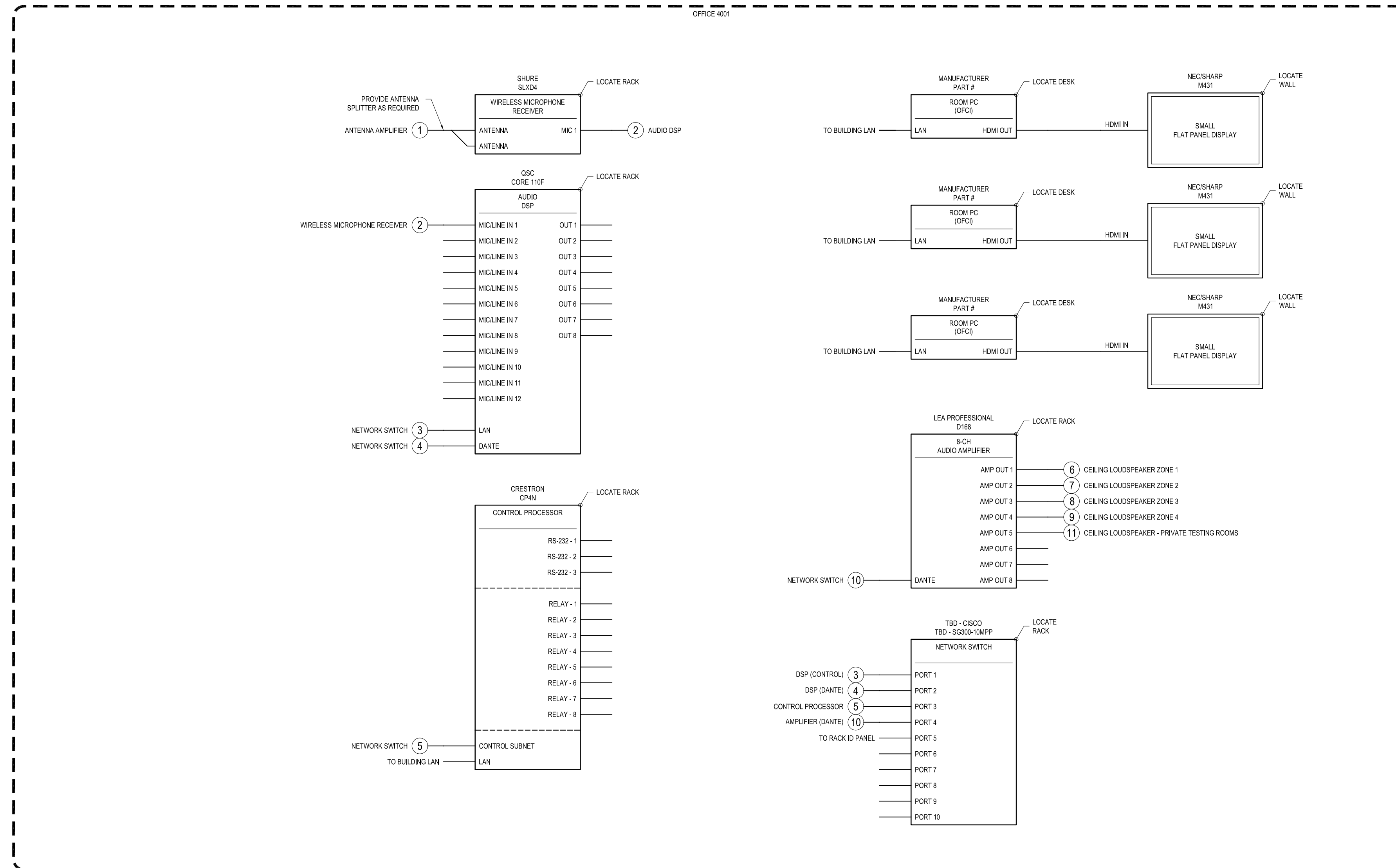
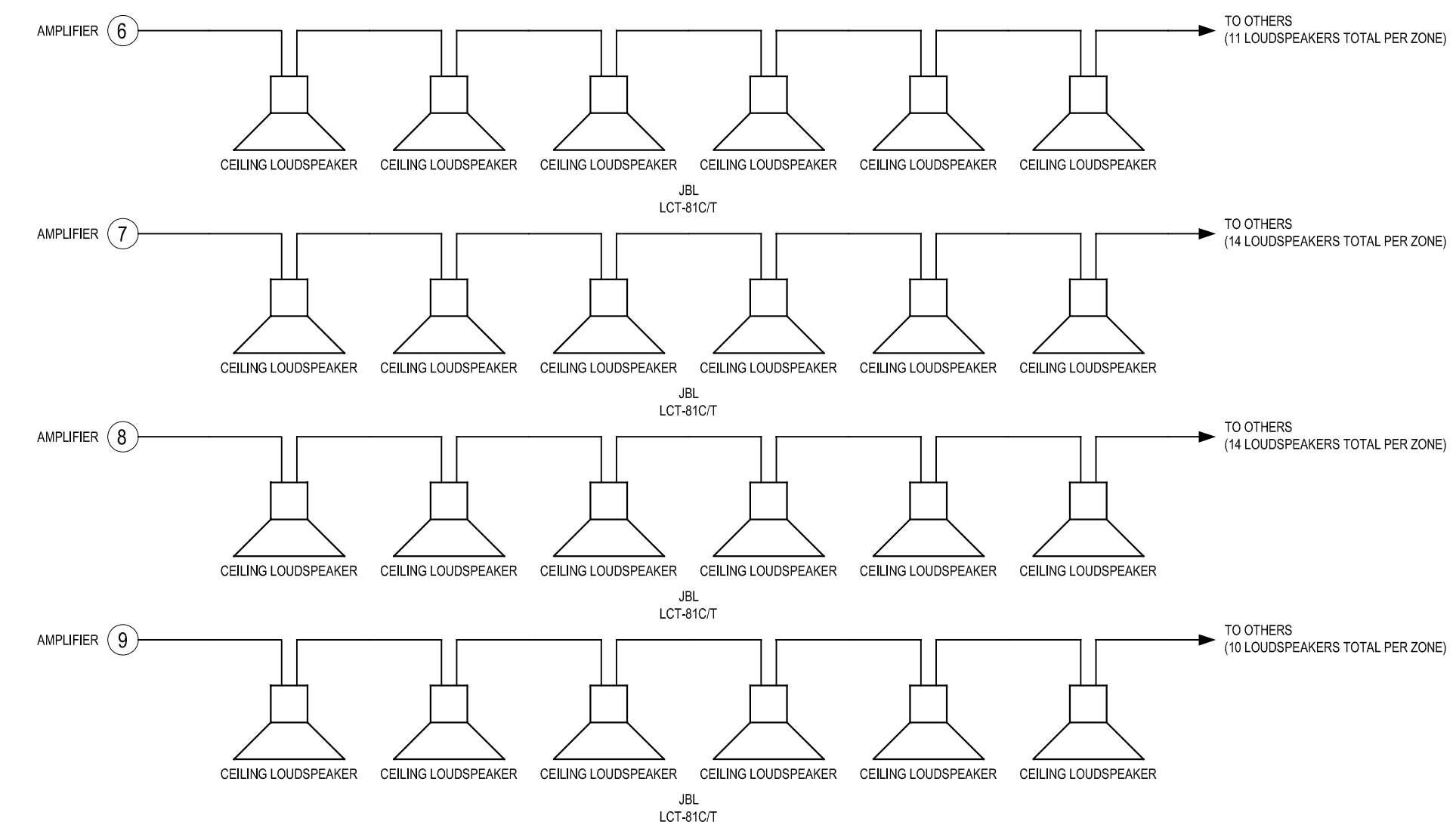
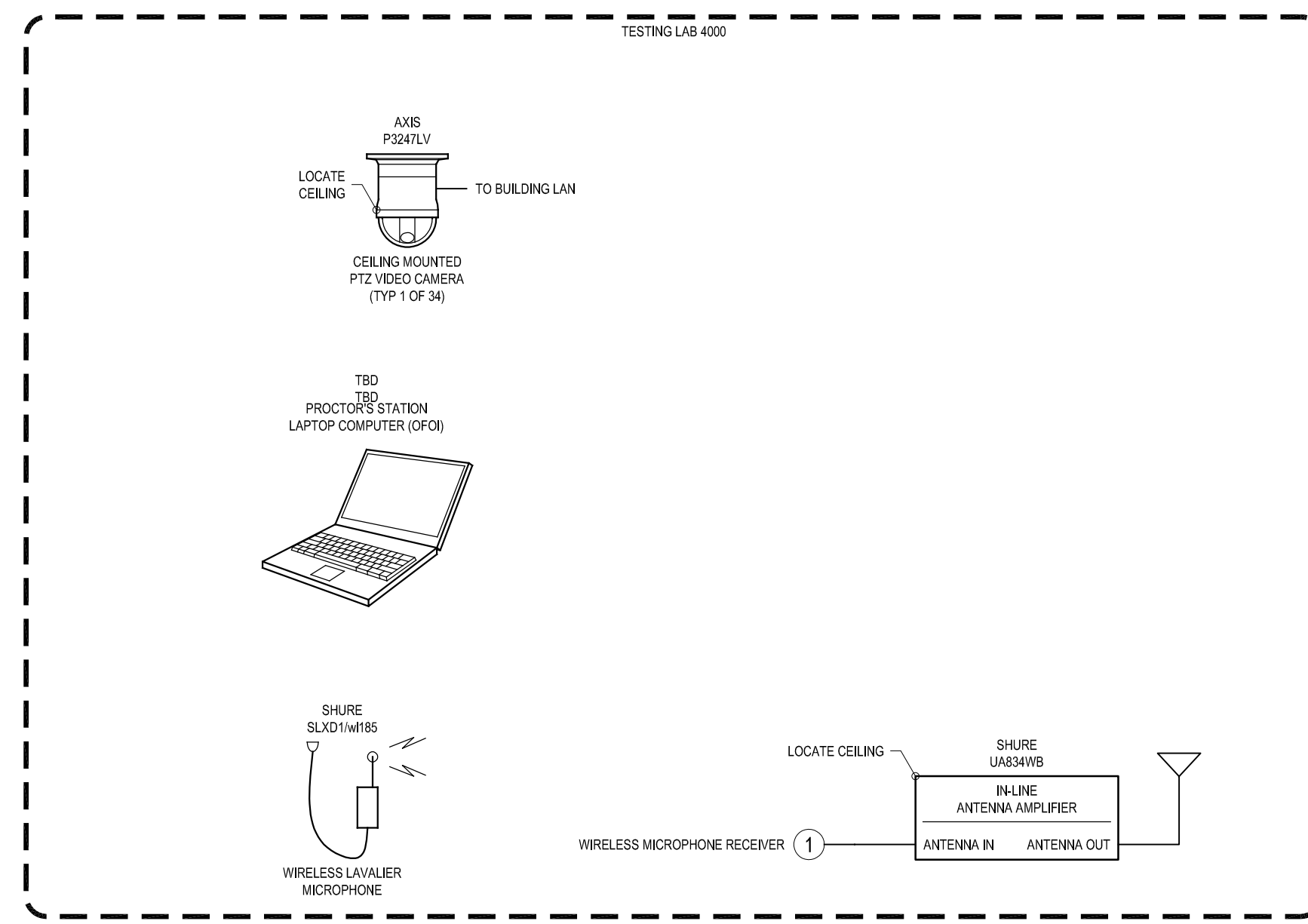
AUDIOVISUAL SYSTEMS

© Eskew+Dumez+Ripple 2019
A Professional Corporation

The intent of the Contract Documents is to include all items necessary for proper execution and completion of the work by Contractor. The Contract Documents are complementary, and what is required by one shall be as binding as if required by all; performance by the Contractor shall be required only to the extent consistent with the Contract Documents and reasonably inferable from them as being necessary to produce the indicated results.

REVISIONS

**AUDIOVISUAL SYSTEMS
SY19**



**REPURPOSING INTERIM HOSPITAL
LOUISIANA STATE UNIVERSITY
MEDICAL CENTER**

2021 PERDIDO ST, NEW ORLEANS, LOUISIANA 70112
FP&C PROJECT NO. | 19-604N-16-01, PT. 01, F.19001156;
F.19.002168-01-107-05B-13, F.01003750; & 19-604N-05-05,
F.19002231 (SUPPLEMENT)

EDR PROJECT NO. | 16053

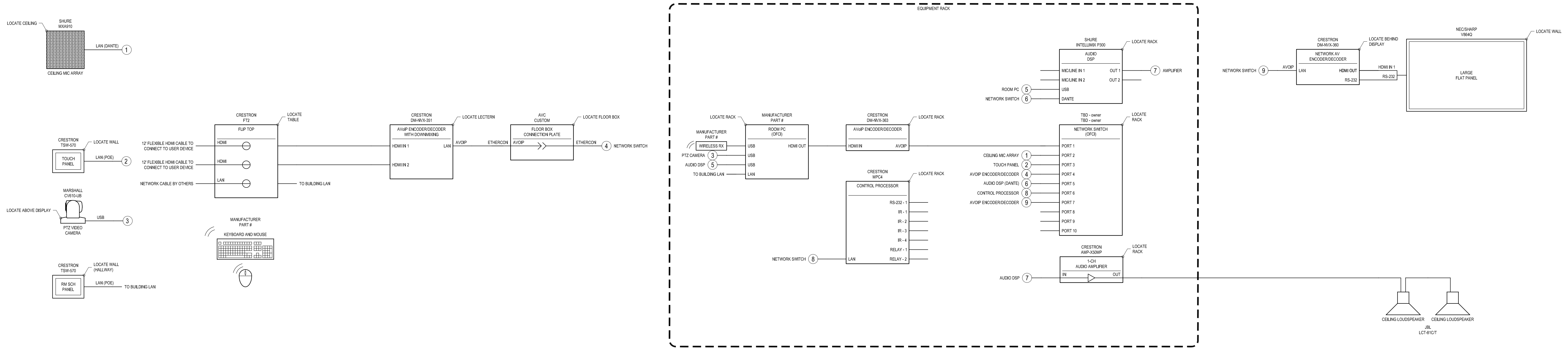
PROJECT ISSUE DATE | 28 OCTOBER 2021

AUDIOVISUAL SYSTEMS

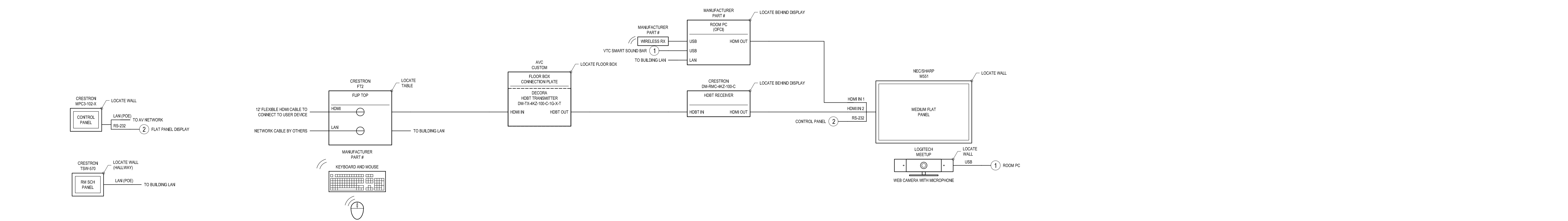
© Eskew+Dumez+Ripple 2019
A Professional Corporation

The intent of the Contract Documents is to include all items necessary for proper execution and completion of the work by Contractor. The Contract Documents are complementary, and what is required by one shall be as binding as if required by all; performance by the Contractor shall be required only to the extent consistent with the Contract Documents and reasonably inferable from them as being necessary to produce the indicated results.

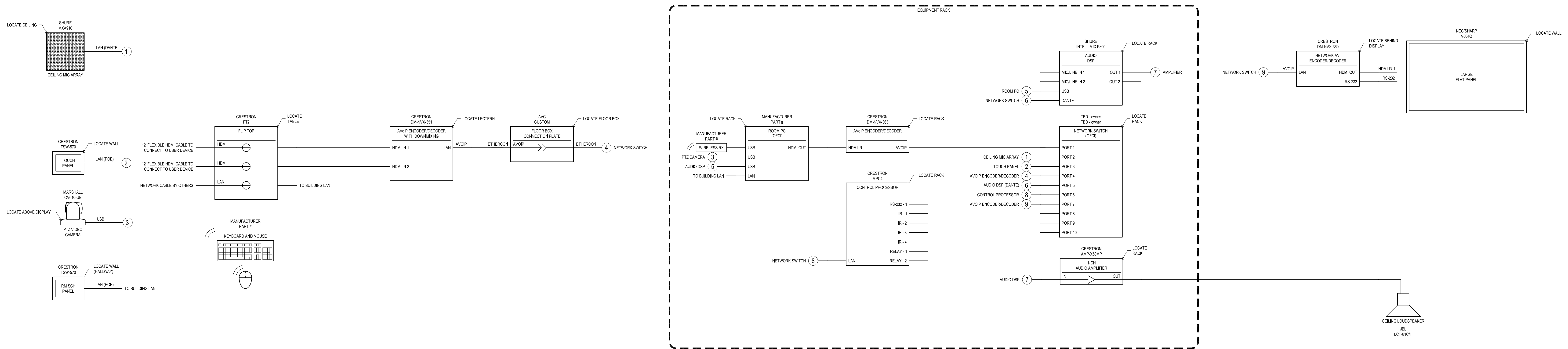
REVISIONS



1 SY21 - LARGE CONFERENCE ROOM -QTY 10 - ROOM NUMBER 4332, 4432, 5134, 5234, 6133, 6233, 7132, 7233, 8133, 8233
SCALE: NTS



2 SY22 - SMALL CONFERENCE ROOM -QTY 6 - ROOM NUMBER 2014, 6102, 6202, 7155, 7255, 8156
SCALE: NTS



3 SY23 - DISTANCE LEARNING -QTY 1 - ROOM NUMBER 4353
SCALE: NTS

**REPURPOSING INTERIM HOSPITAL
LOUISIANA STATE UNIVERSITY
MEDICAL CENTER**

2021 PERDIDO ST, NEW ORLEANS, LOUISIANA 70112
FP&C PROJECT NO. | 19-604N-16-01, PT. 01, F.19001156;
F.19.002168-01-107-05B-13, F.01003750; & 19-604N-05-05,
F.19002231 (SUPPLEMENT)

EDR PROJECT NO. | 16053

PROJECT ISSUE DATE | 28 OCTOBER 2021

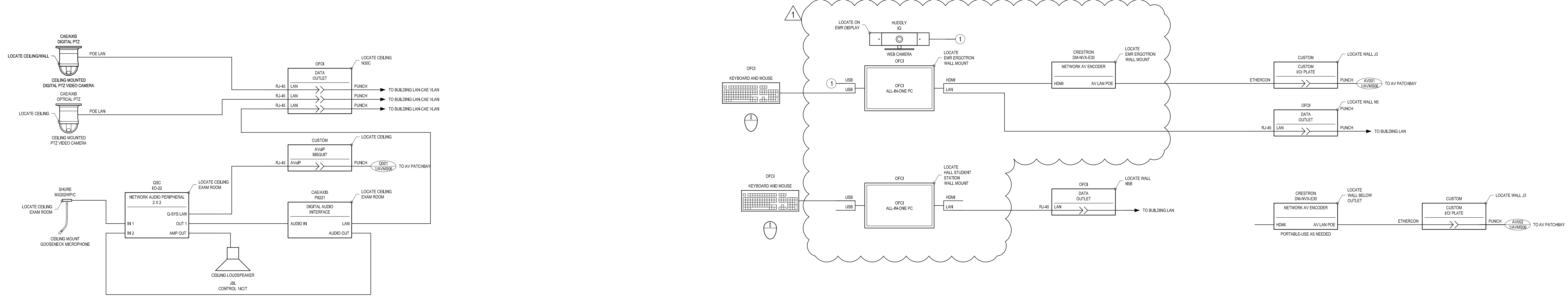
AUDIOVISUAL SYSTEMS

© Eskew+Dumez+Ripple 2019
A Professional Corporation

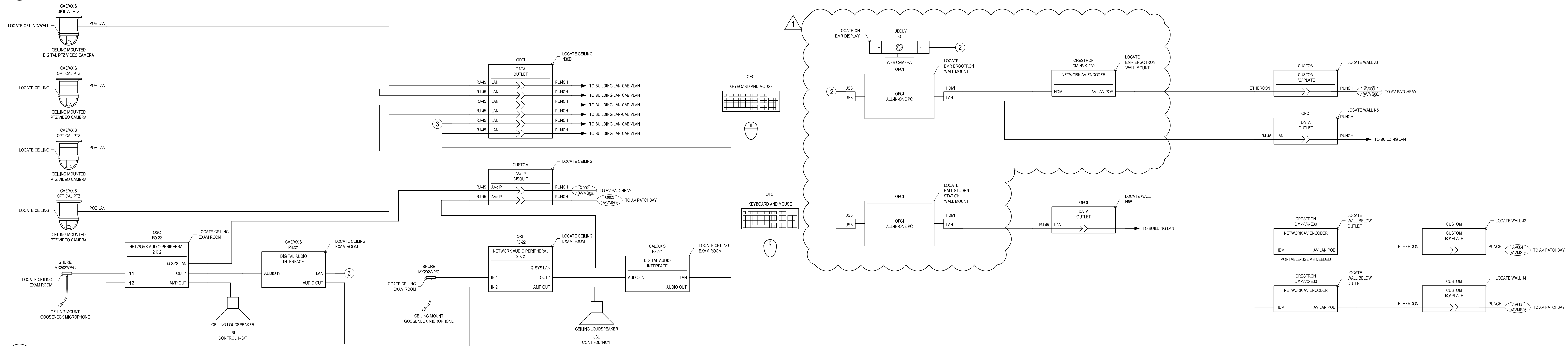
The intent of the Contract Documents is to include all items necessary for proper execution and completion of the work by Contractor. The Contract Documents are complementary, and what is required by one shall be as binding as if required by all; performance by the Contractor shall be required only to the extent consistent with the Contract Documents and reasonably inferable from them as being necessary to produce the indicated results.

REVISIONS

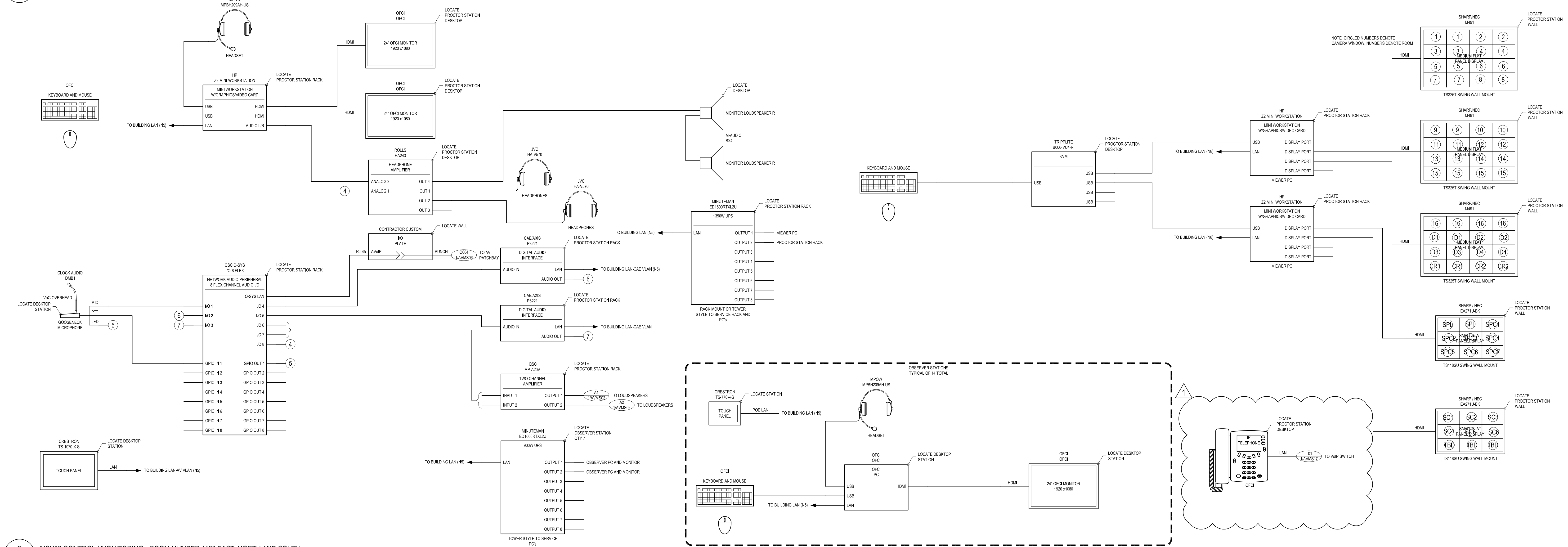
**AUDIOVISUAL SYSTEMS
SY21, SY22, SY23**



1 MSY01 EXAM - QTY. 14 - ROOM NUMBERS 1104, 1105, 1106, 1107, 1108, 1109, 1110, 1113, 1115, 1116, 1117, 1118, 1119, 1120
AVMS01 SCALE: NTS



2 MSY02 EXAM LARGE - QTY. 2 - ROOM NUMBERS 1103, 1114
AVMS01 SCALE: NTS



3 MSY03 CONTROL / MONITORING - ROOM NUMBER 1123 EAST, NORTH AND SOUTH
AVMS01 SCALE: NTS

REPURPOSING INTERIM HOSPITAL
LOUISIANA STATE UNIVERSITY
MEDICAL CENTER

2021 PERDIDO ST, NEW ORLEANS, LOUISIANA 70112
FP&C PROJECT NO. | 19-604N-16-01, PT. 01, F.19001156;
F.19.002168-01-107-05B-13, F.01003750; & 19-604N-05-05,
F.19002231 (SUPPLEMENT)

EDR PROJECT NO. | 16053

PROJECT ISSUE DATE | 28 OCTOBER 2021

AUDIOVISUAL SYSTEMS

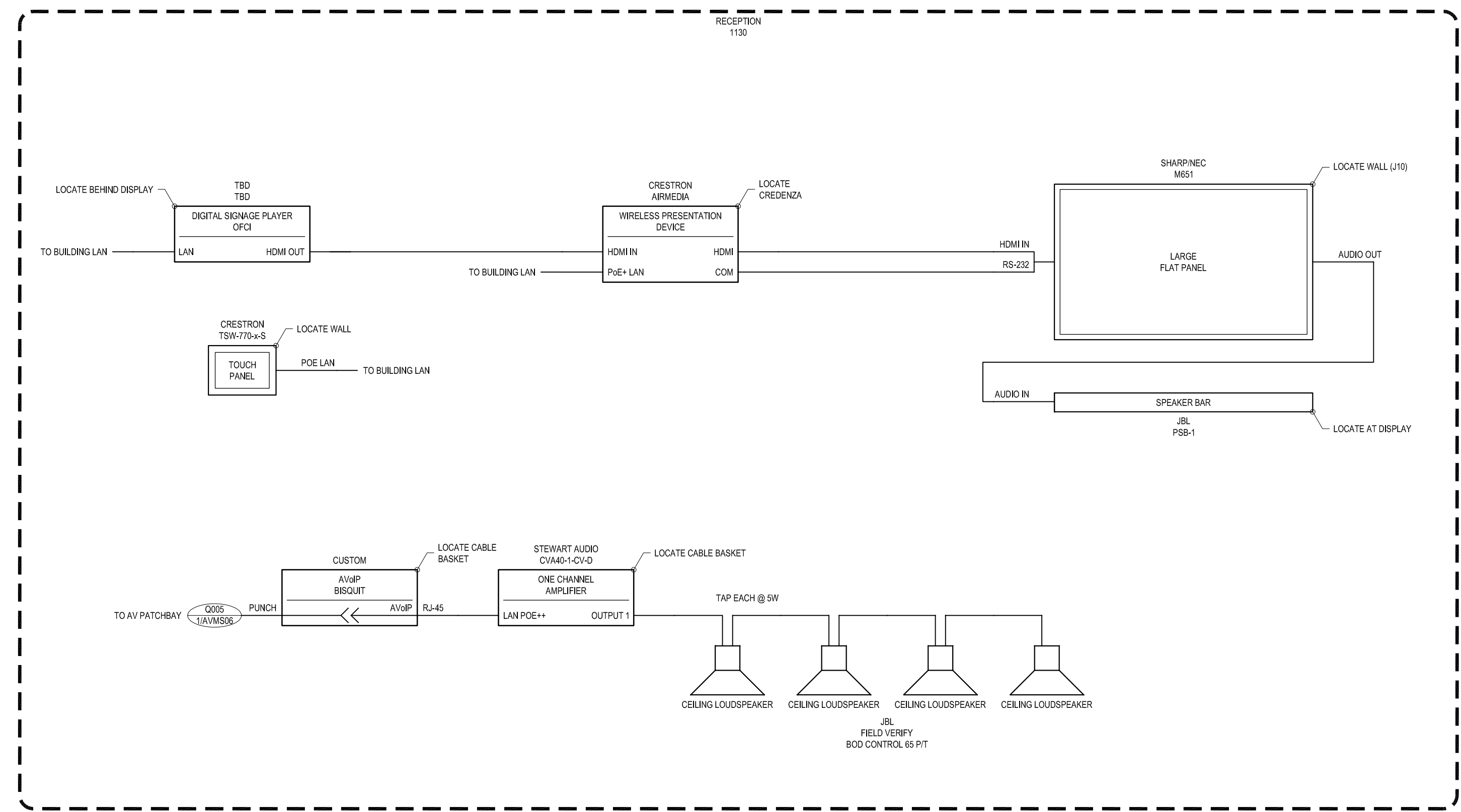
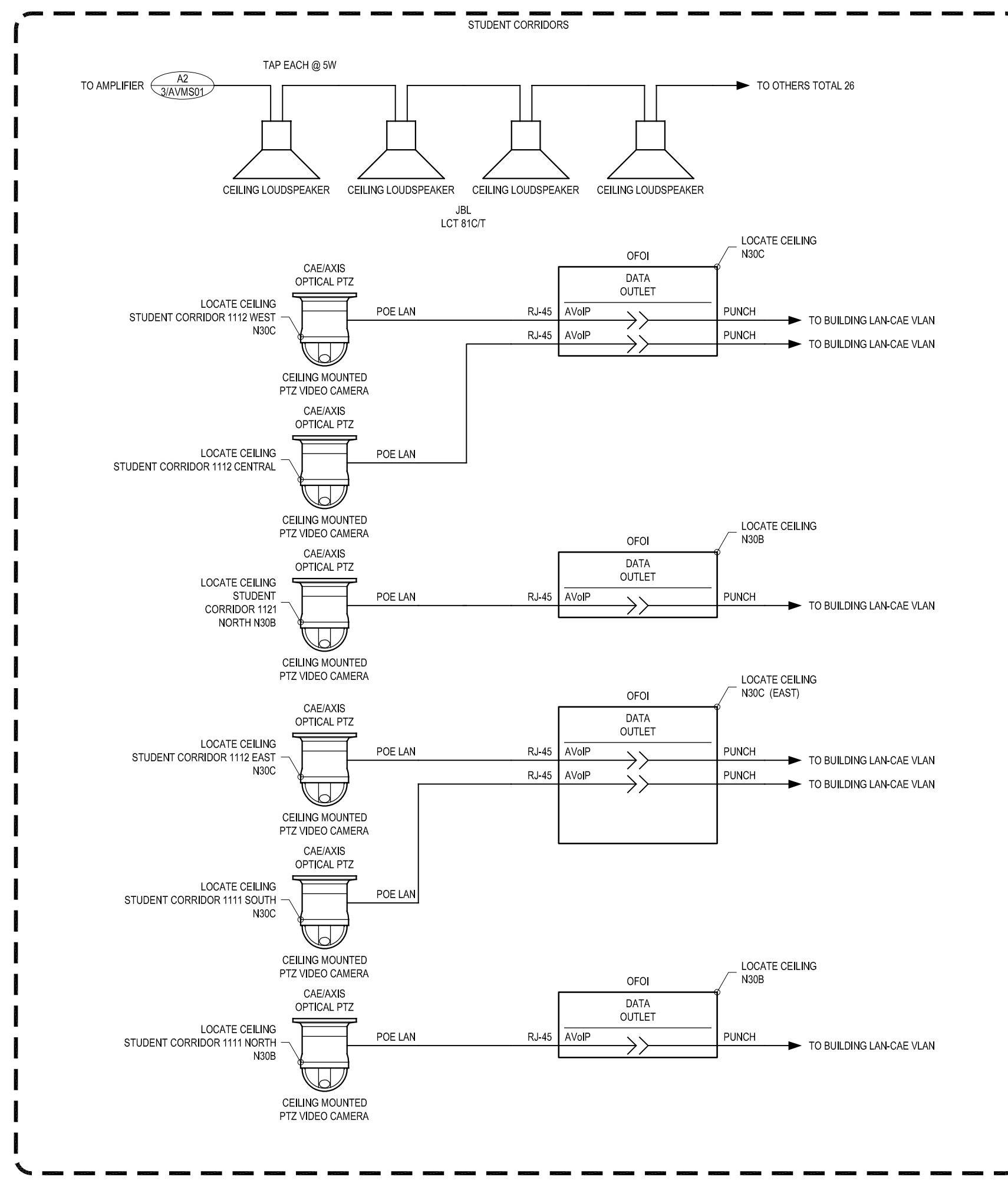
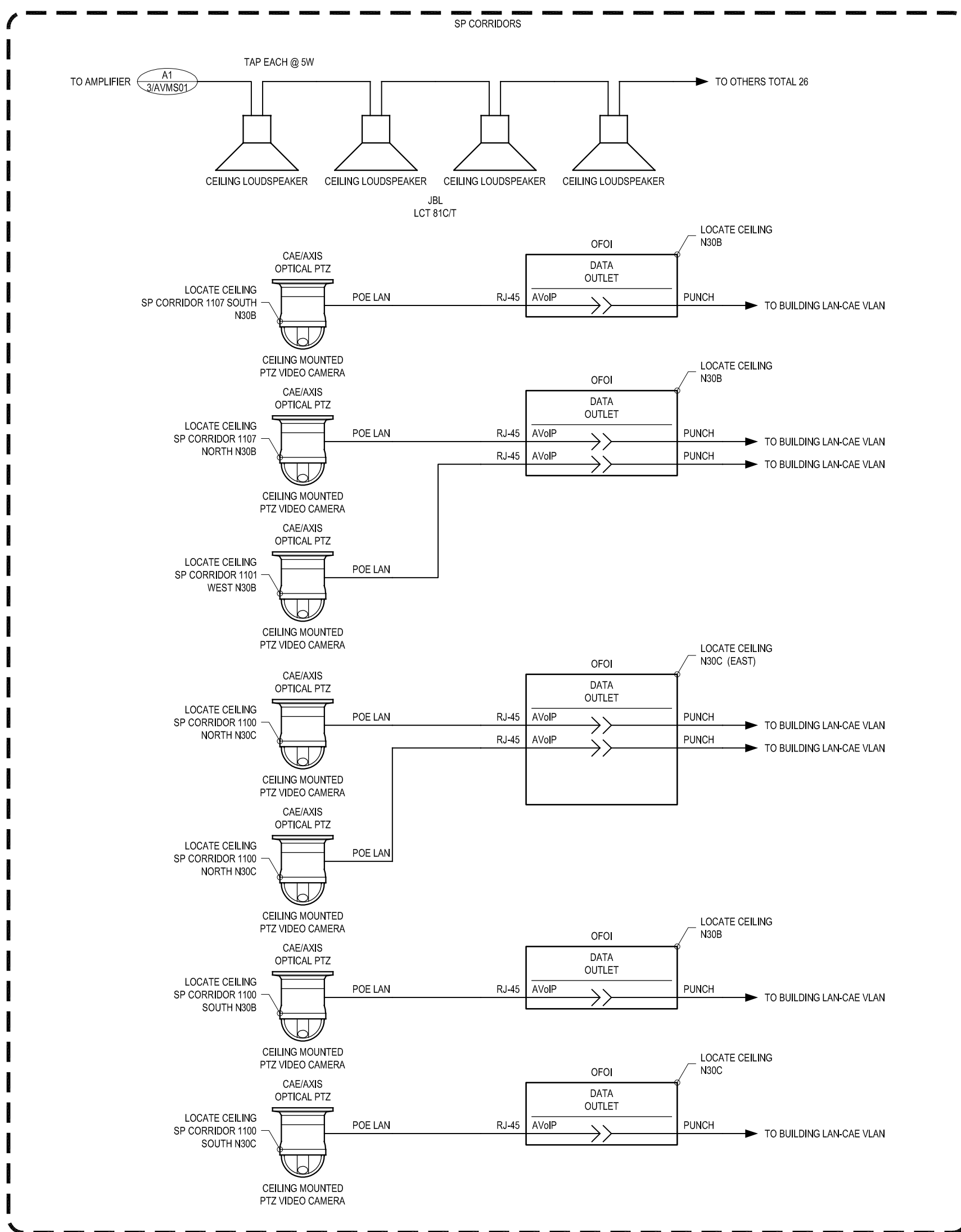
© Eskew+Dumez+Ripple 2019
A Professional Corporation

The intent of the Contract Documents is to include all items necessary for proper execution and completion of the work by Contractor. The Contract Documents are complementary, and what is required by one shall be as binding as if required by all; performance by the Contractor shall be required only to the extent consistent with the Contract Documents and reasonably inferable from them as being necessary to produce the indicated results.

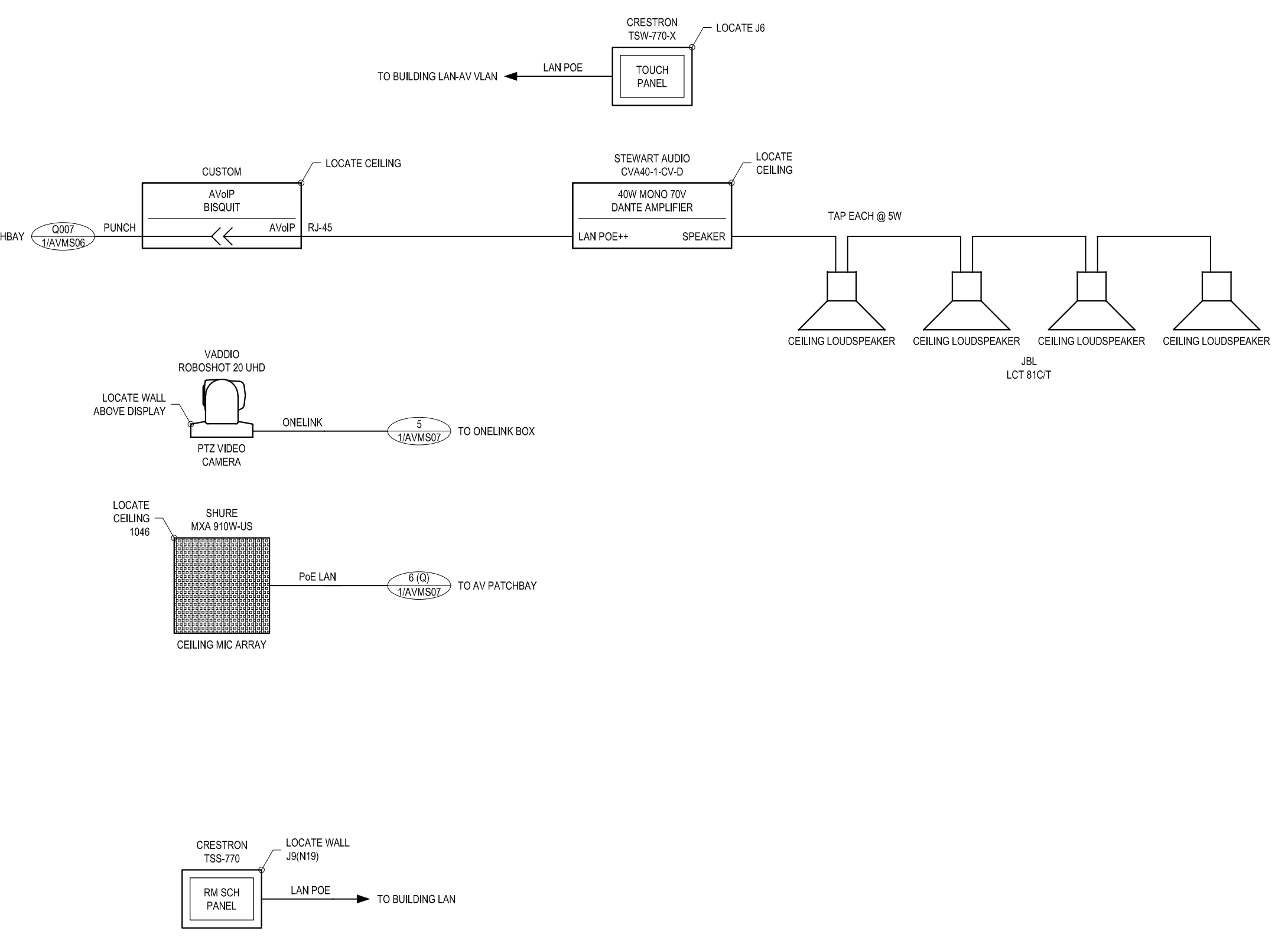
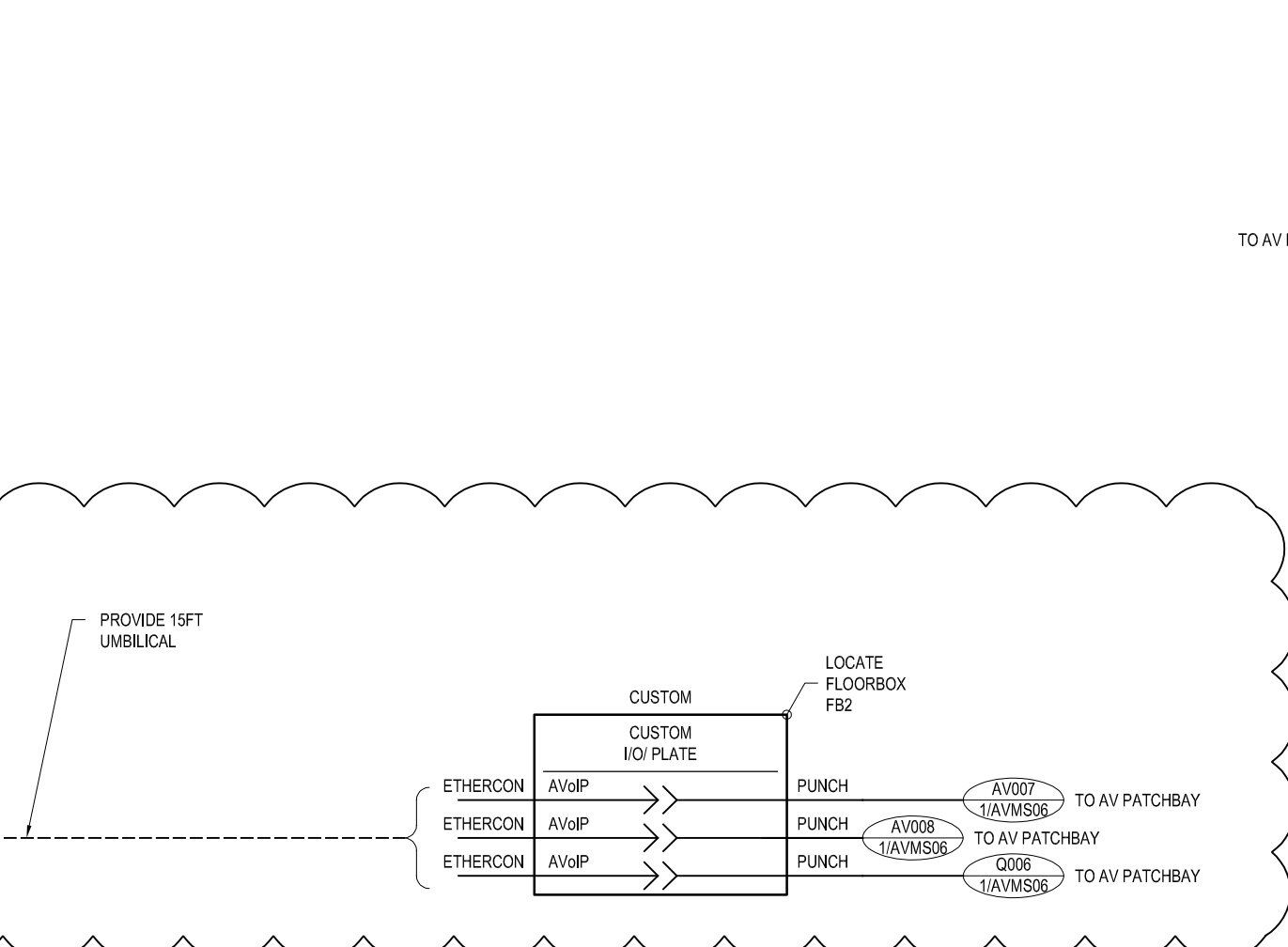
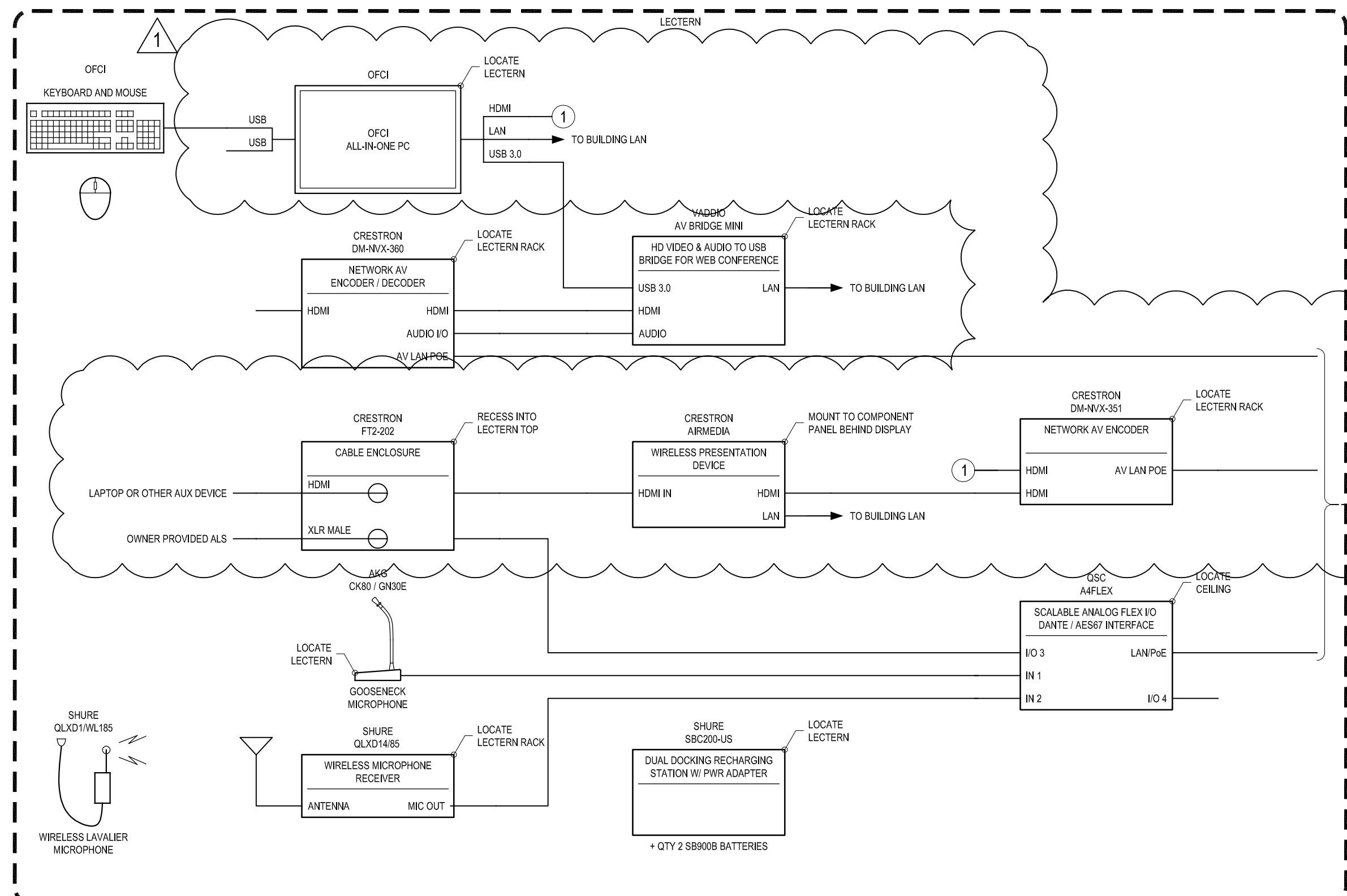
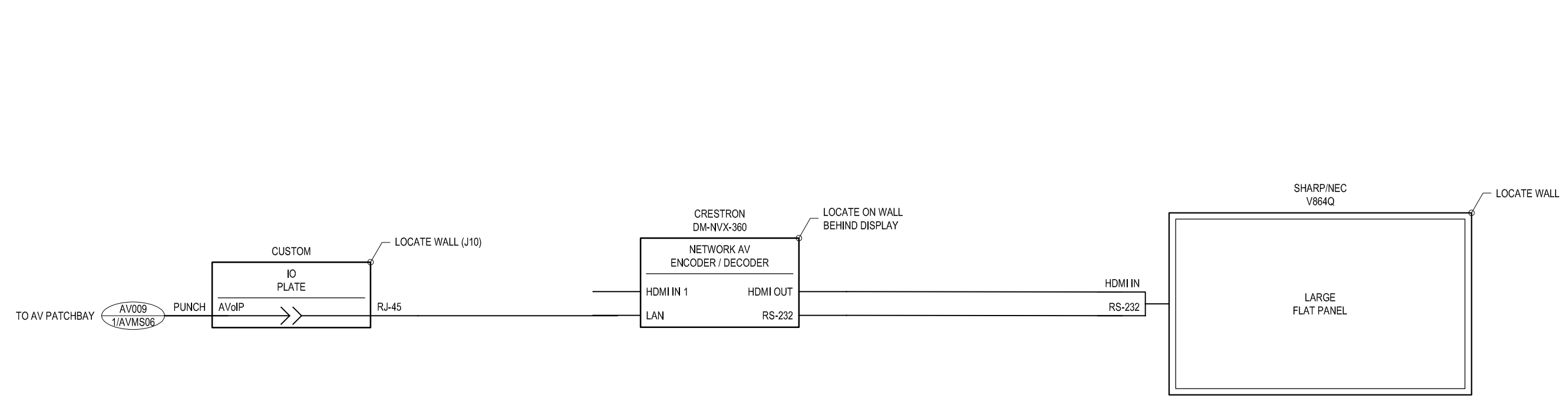
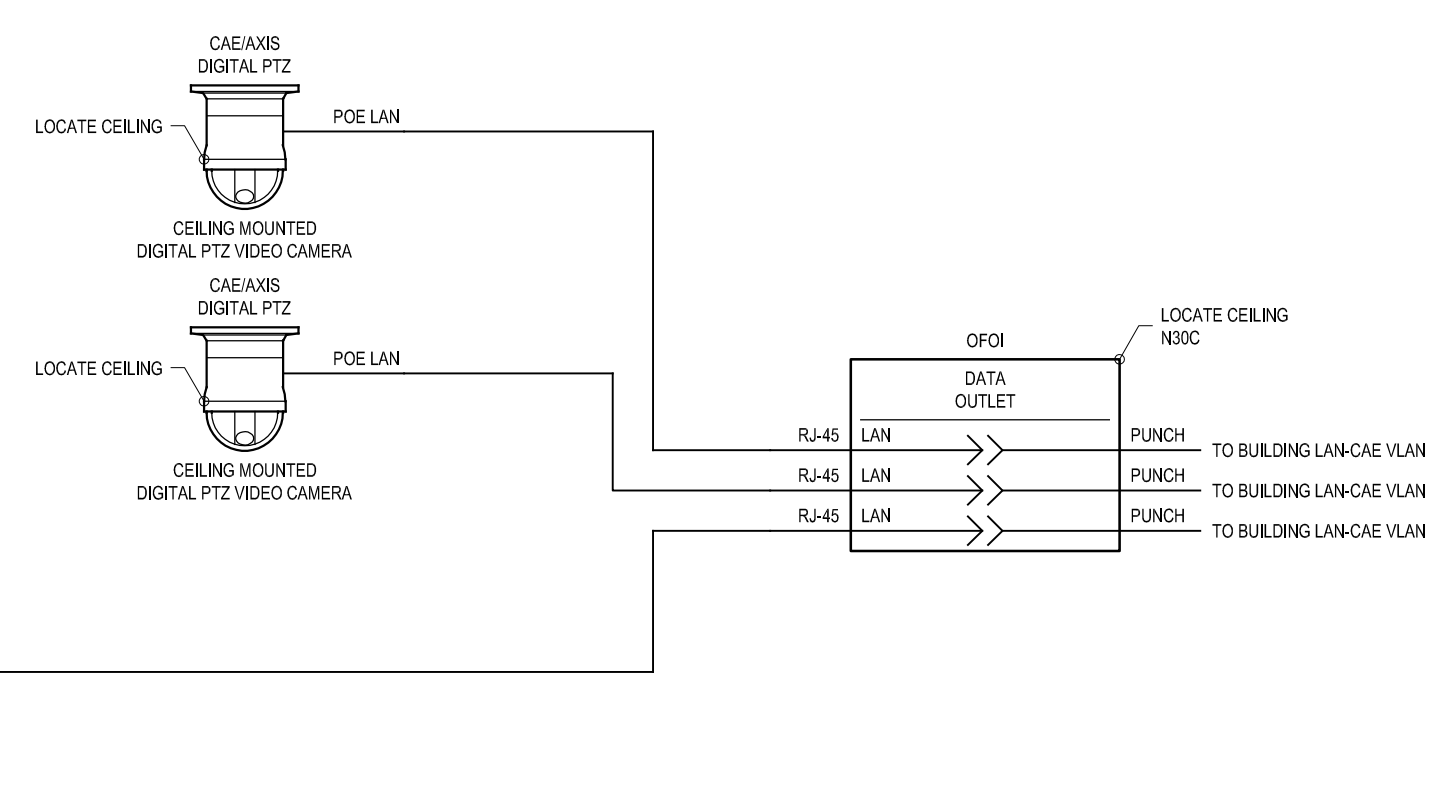
REVISIONS

01 DEC 2021 ADDENDUM 1

AUDIOVISUAL SYSTEMS -
MED SIM -
MSY01, MSY02, MSY03



1 MSY04 SP AREA CORRIDORS - ROOM NUMBER 1100, 1101, 1107, 1111, 1112, 1121
SCALE: NTS



3 MSY05 SP LOUNGE - ROOM NUMBER 1125
SCALE: NTS

REPURPOSING INTERIM HOSPITAL
LOUISIANA STATE UNIVERSITY
MEDICAL CENTER

2021 PERDIDO ST, NEW ORLEANS, LOUISIANA 70112
FP&C PROJECT NO. | 19-604N-16-01, PT. 01, F.19001156;
F.19.002166-01-107-05B-13, F.01003750; & 19-604N-05-05,
F.19002231 (SUPPLEMENT)

EDR PROJECT NO. | 16053
PROJECT ISSUE DATE | 28 OCTOBER 2021

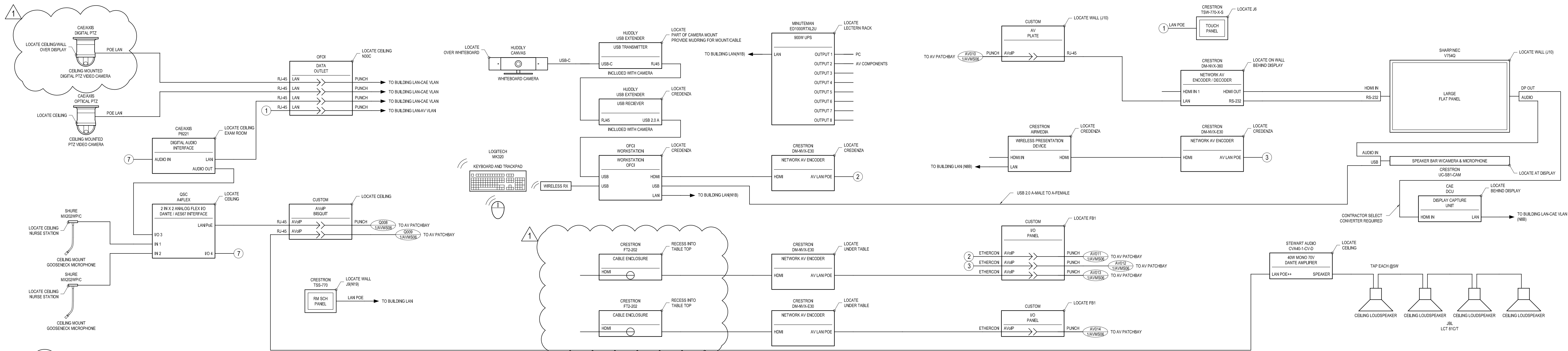
AUDIOVISUAL SYSTEMS

© Eskew+Dumez+Ripple 2019
A Professional Corporation

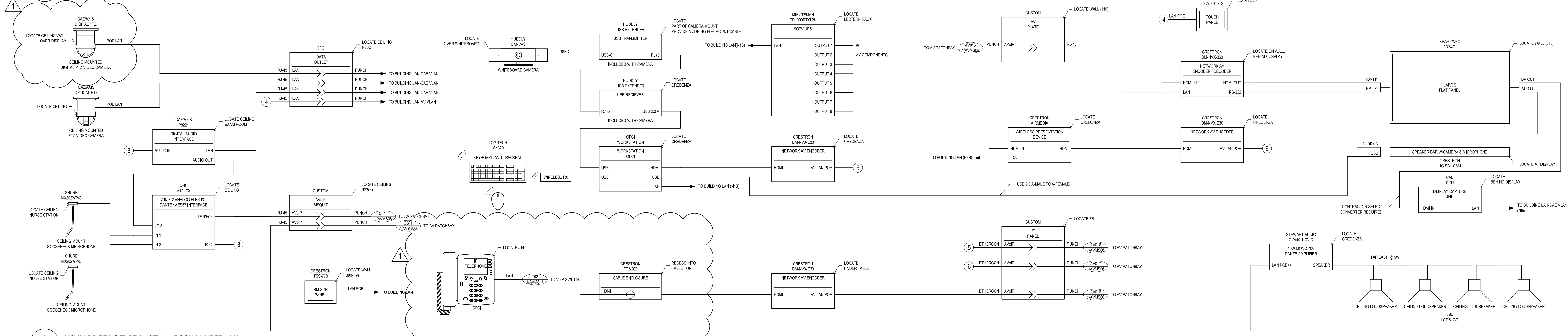
The intent of the Contract Documents is to include all items necessary for proper execution and completion of the work by Contractor. The Contract Documents are complementary, and what is required by one shall be as binding as if required by all; performance by the Contractor shall be required only to the extent consistent with the Contract Documents and reasonably inferable from them as being necessary to produce the indicated results.

REVISIONS
01 DEC 2021 ADDENDUM 1

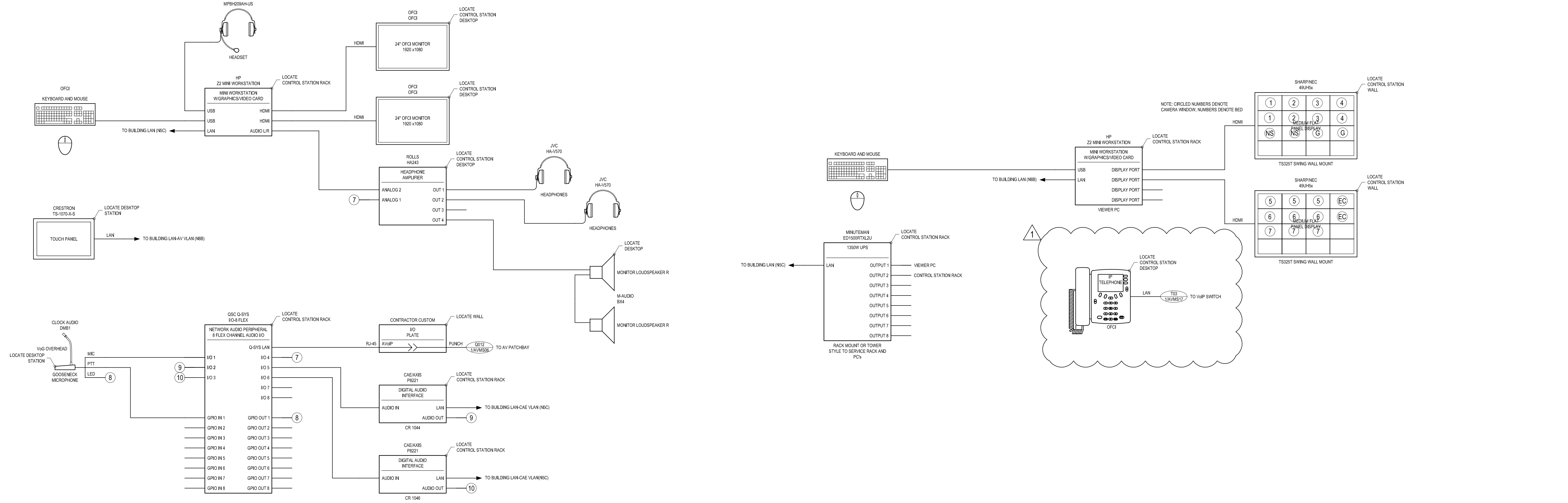
AUDIOVISUAL SYSTEMS -
MED SIM -
MSY04, MSY05



1 MSY06 BRIEFING TYPE 1 - QTY. 5 - ROOM NUMBERS 1043, 1045, 1048, 1051, 1052
AVMS03 SCALE: NTS



2 MSY07 BRIEFING TYPE 2 - QTY. 1 - ROOM NUMBER 1148
AVMS03 SCALE: NTS



3 MSY08 CONTROL / MONITORING - ROOM NUMBER 1123 WEST
AVMS03 SCALE: NTS

REPURPOSING INTERIM HOSPITAL
LOUISIANA STATE UNIVERSITY
MEDICAL CENTER

2021 PERDIDO ST, NEW ORLEANS, LOUISIANA 70112
FP&C PROJECT NO. | 19-604N-16-01, PT. 01, F.19001156;
F.19.002166-01-107-05B-13, F.01003750; & 19-604N-05-05,
F.19002231 (SUPPLEMENT)

EDR PROJECT NO. | 16053
PROJECT ISSUE DATE | 28 OCTOBER 2021

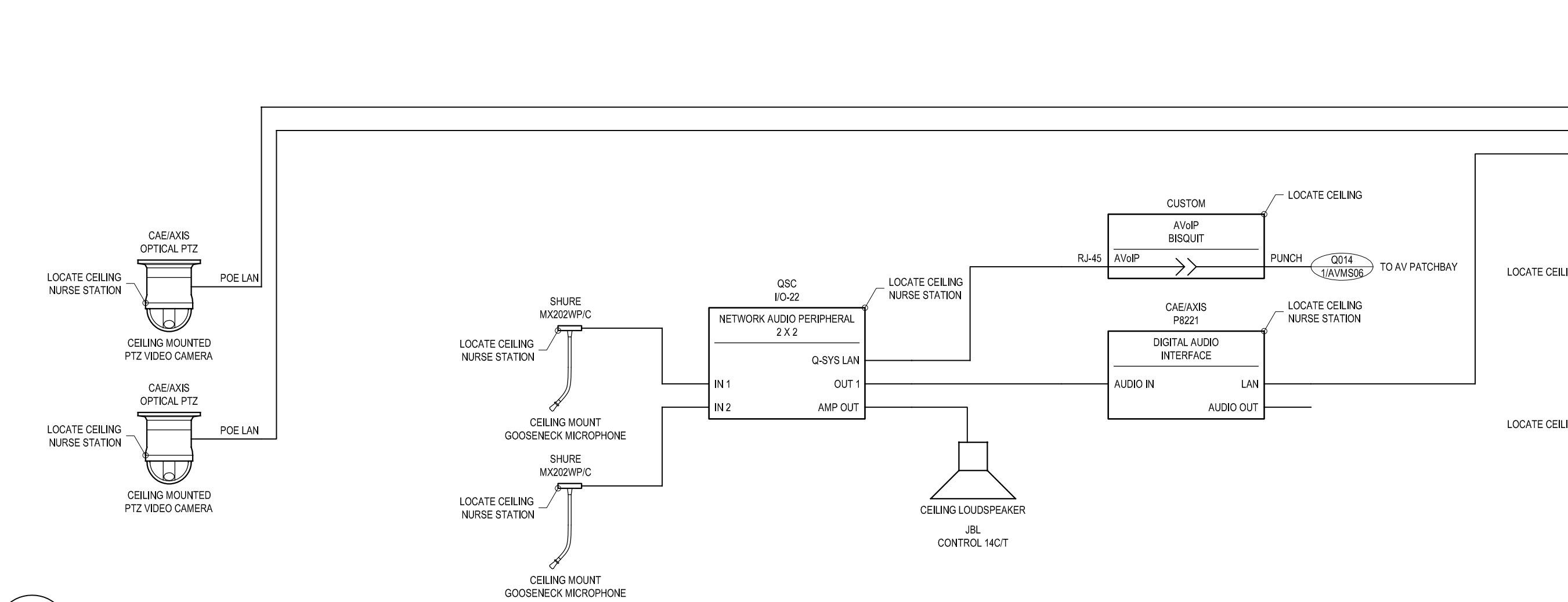
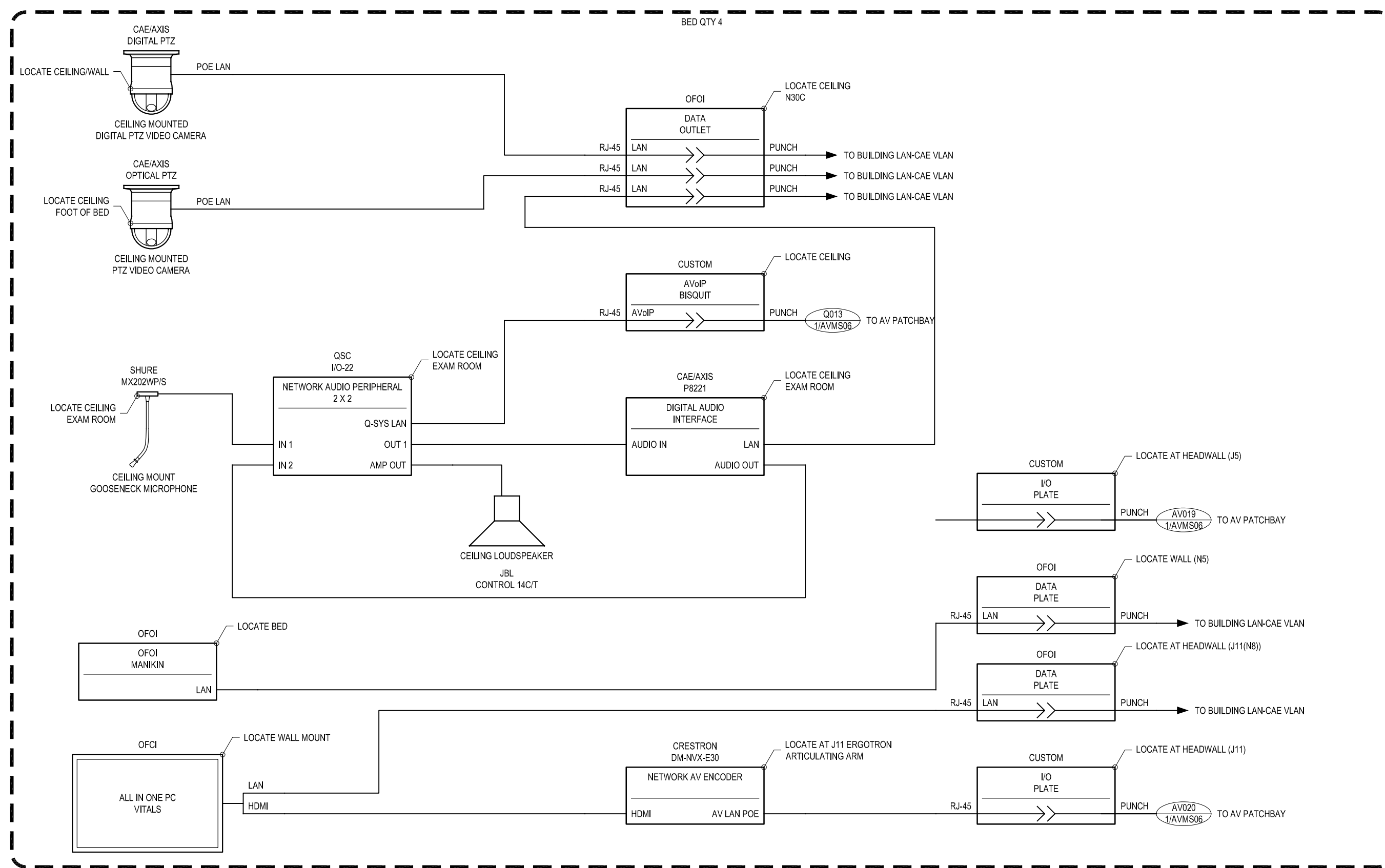
AUDIOVISUAL SYSTEMS

© Eskew+Dumez+Ripple 2019
A Professional Corporation

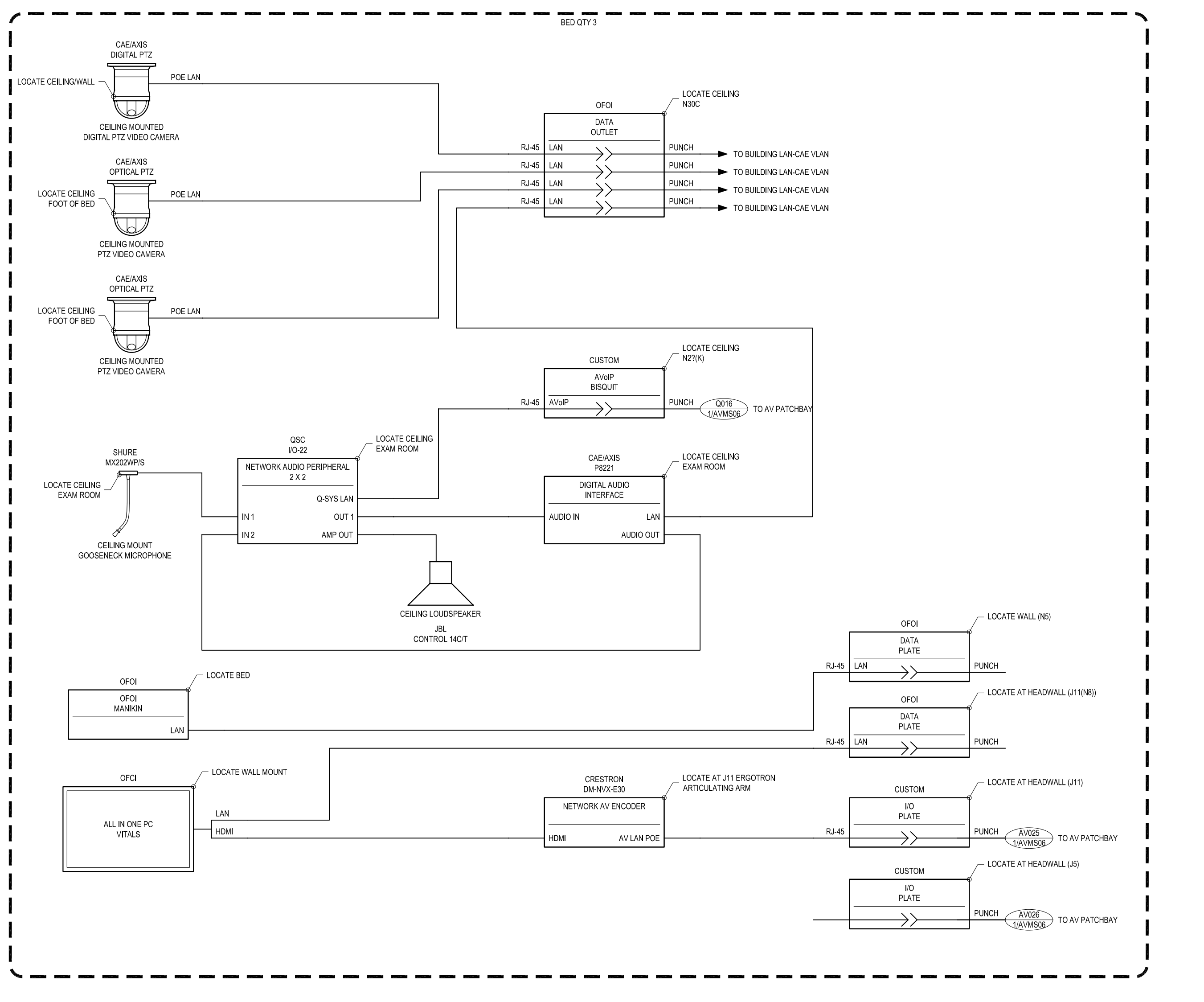
The intent of the Contract Documents is to include all items necessary for proper execution and completion of the work by Contractor. The Contract Documents are complementary, and what is required by one shall be as binding as if required by all; performance by the Contractor shall be required only to the extent consistent with the Contract Documents and reasonably inferable from them as being necessary to produce the indicated results.

REVISIONS
01 DEC 2021 ADDENDUM 1

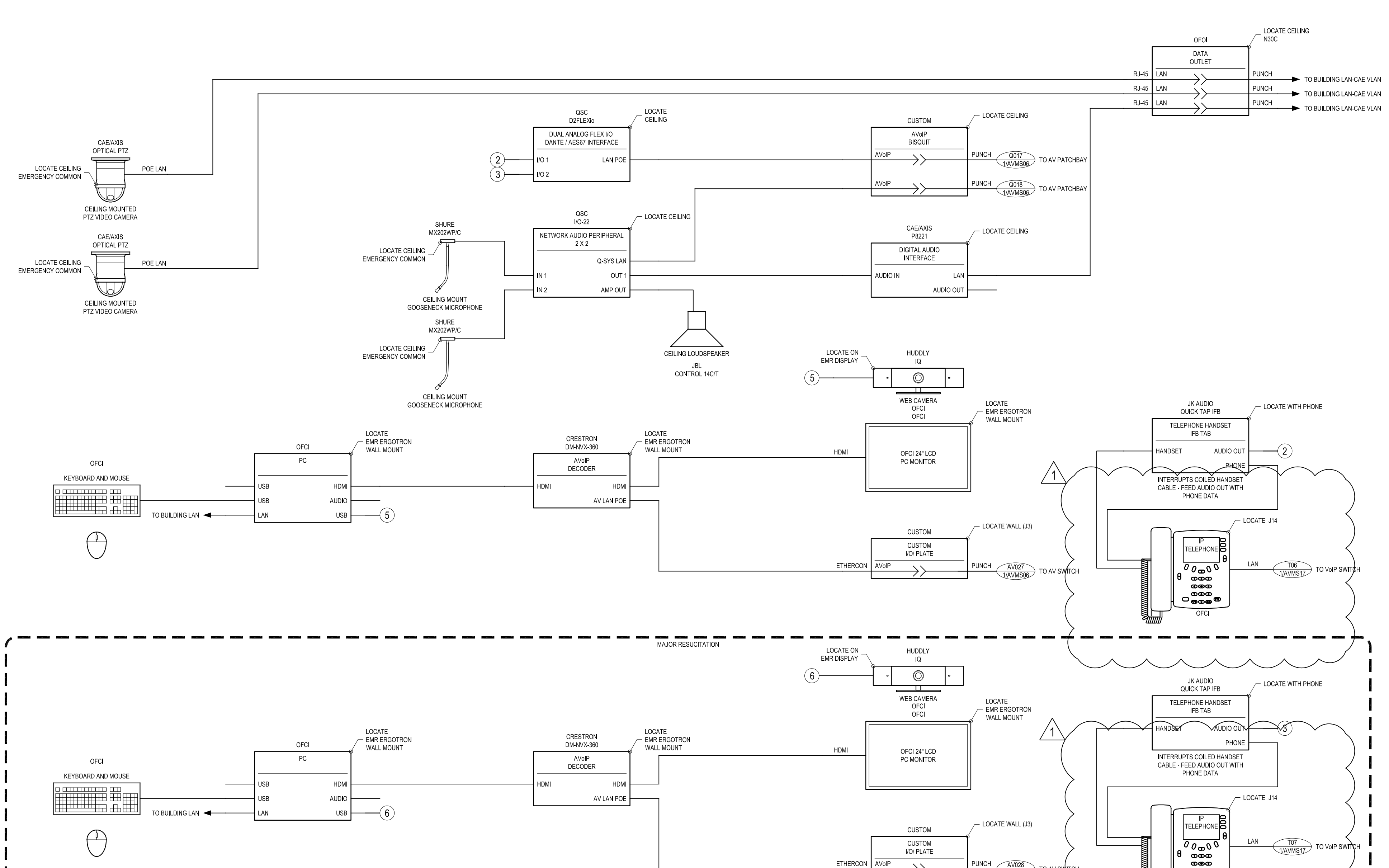
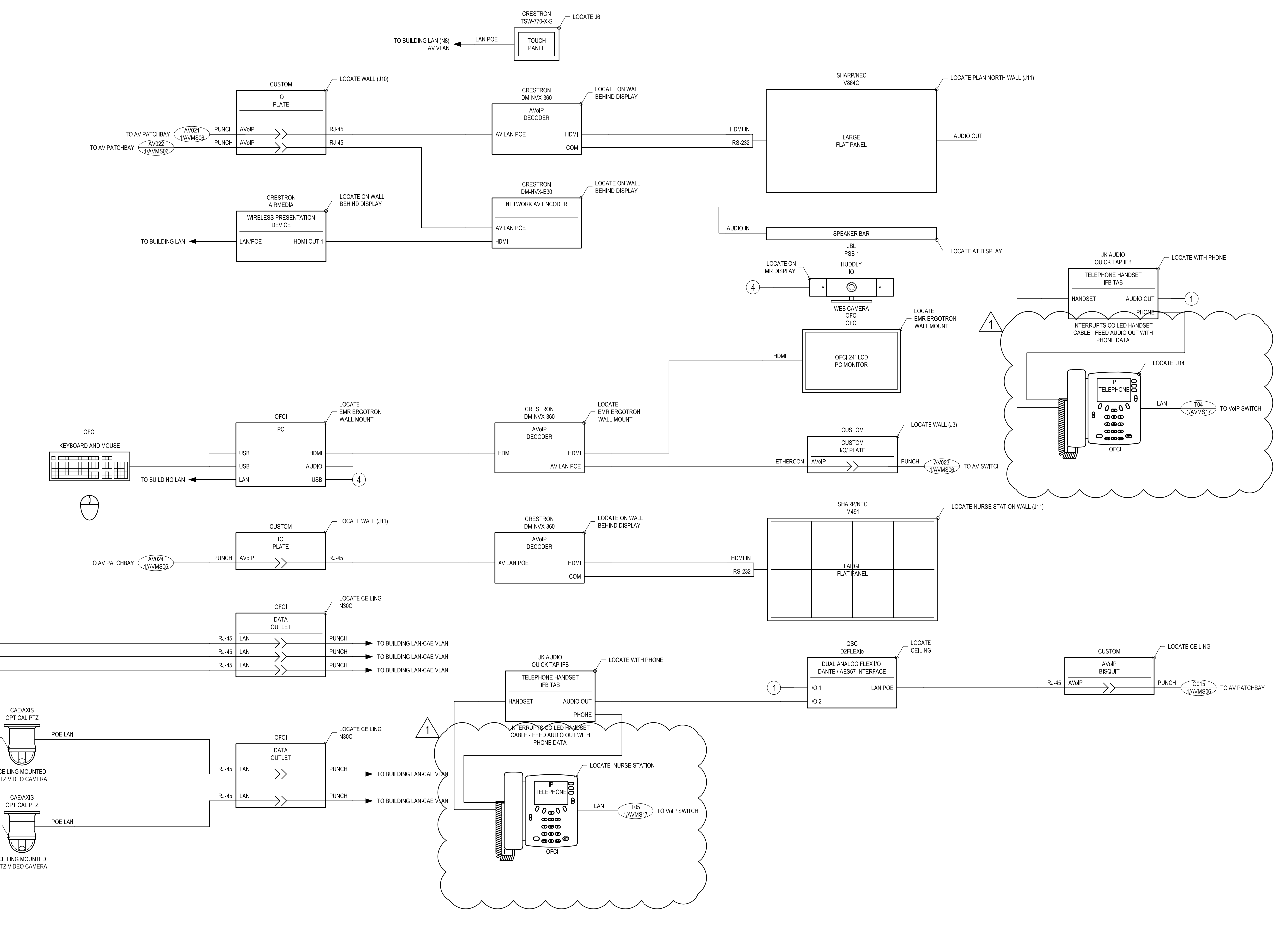
AUDIOVISUAL SYSTEMS -
MED SIM -
MSY06, MSY07, MSY08



1 MSY09 OVERFLOW RESUSCITATION - QTY1 - ROOM NUMBER 1060
SCALE: NTS



2 MSY10 ED BED NOOK, MAJOR RESUSCITATION & EMERGENCY COMMON - QTY 1 - ROOM NUMBERS 1057, 1058, 1059
SCALE: NTS



REPURPOSING INTERIM HOSPITAL
LOUISIANA STATE UNIVERSITY
MEDICAL CENTER

2021 PERDIDO ST, NEW ORLEANS, LOUISIANA 70112
FP&C PROJECT NO. | 19-604N-16-01, PT. 01, F.19001156;
F.19.002166-01-107-05B-13, F.01003750; & 19-604N-05-05,
F.19002231 (SUPPLEMENT)
EDR PROJECT NO. | 16053

PROJECT ISSUE DATE | 28 OCTOBER 2021

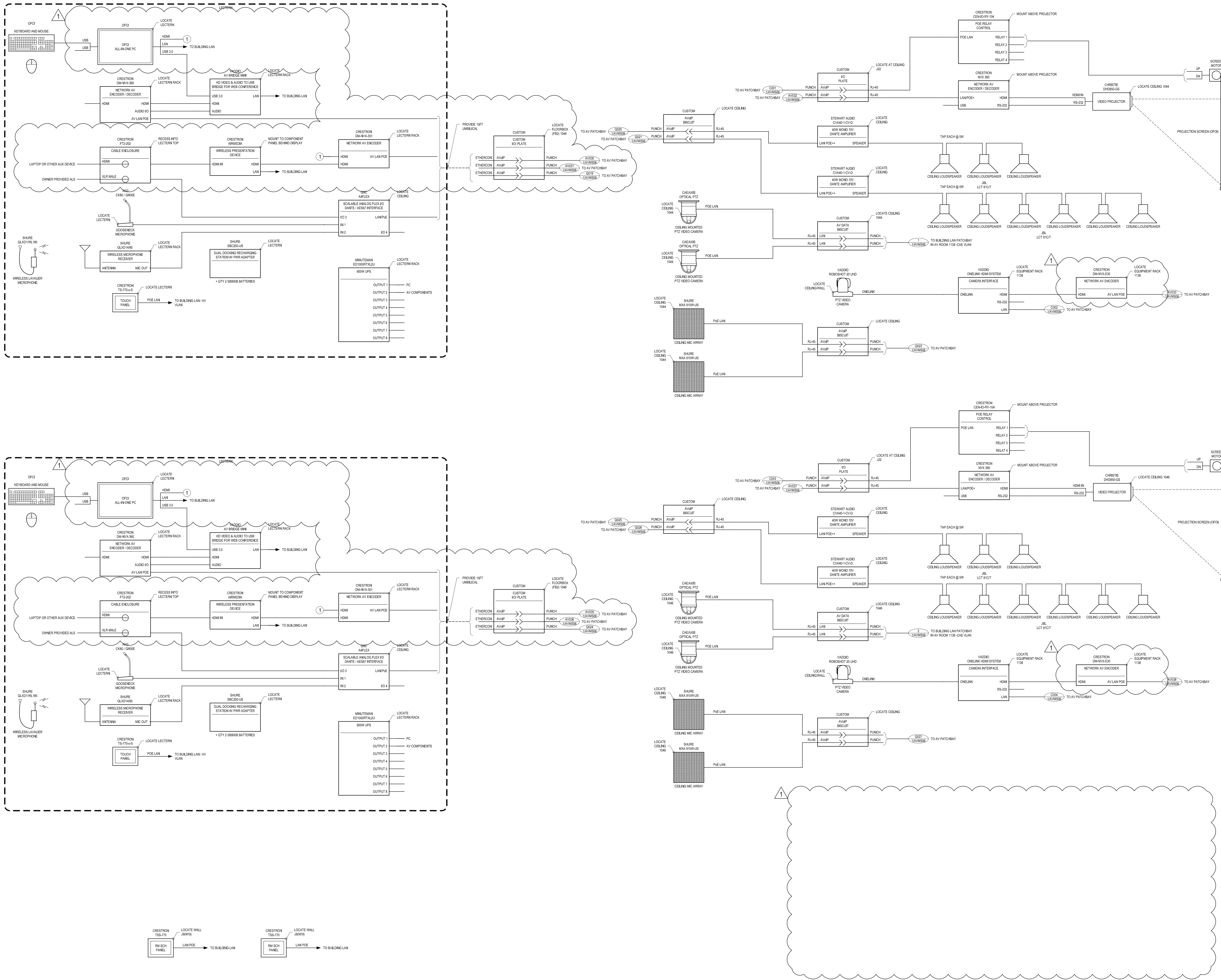
AUDIOVISUAL SYSTEMS

© Eskew+Dumez+Ripple 2019
A Professional Corporation

The intent of the Contract Documents is to include all items necessary for proper execution and completion of the work by Contractor. The Contract Documents are complementary, and what is required by one shall be as binding as if required by all; performance by the Contractor shall be required only to the extent consistent with the Contract Documents and reasonably inferable from them as being necessary to produce the indicated results.

REVISIONS
01 DEC 2021 ADDENDUM 1

AUDIOVISUAL SYSTEMS -
MED SIM -
MSY09, MSY10



REPURPOSING INTERIM HOSPITAL
LOUISIANA STATE UNIVERSITY
MEDICAL CENTER

2021 PERDIDO ST, NEW ORLEANS, LOUISIANA 70112
FP&C PROJECT NO. | 19-604N-16-01, PT. 01, F.19001156;
F.19.002166-01-107-05B-13, F.01003750; & 19-604N-05-05,
F.19002231 (SUPPLEMENT)
EDR PROJECT NO. | 16053

PROJECT ISSUE DATE | 28 OCTOBER 2021

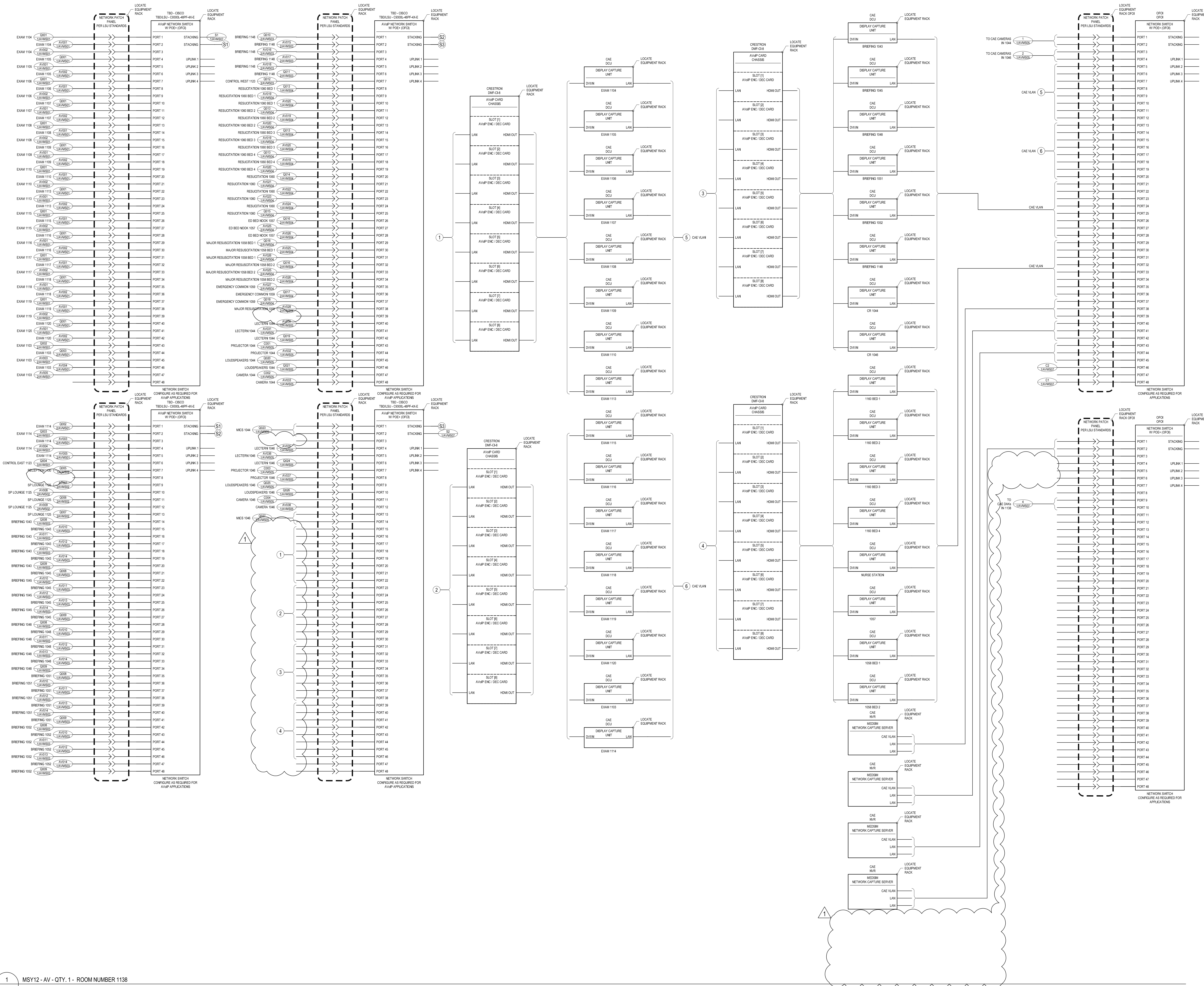
AUDIOVISUAL SYSTEMS

© Eskew+Dumez+Ripple 2019
A Professional Corporation

The intent of the Contract Documents is to include all items necessary for proper execution and completion of the work by Contractor. The Contract Documents are complementary, and what is required by one shall be as binding as if required by all; performance by the Contractor shall be required only to the extent consistent with the Contract Documents and reasonably inferable from them as being necessary to produce the indicated results.

REVISIONS
01 DEC 2021 ADDENDUM 1

AUDIOVISUAL SYSTEMS -
MED SIM -
MSY11



**REPURPOSING INTERIM HOSPITAL
LOUISIANA STATE UNIVERSITY
MEDICAL CENTER**

2021 PERDIDO ST, NEW ORLEANS, LOUISIANA 70112
FP&C PROJECT NO. | 19-604N-16-01, PT. 01, F.19001156;
F.19.002166-01-107-05B-13, F.01003750; & 19-604N-05-05,
F.19002231 (SUPPLEMENT)

EDR PROJECT NO. | 16053

PROJECT ISSUE DATE | 28 OCTOBER 2021

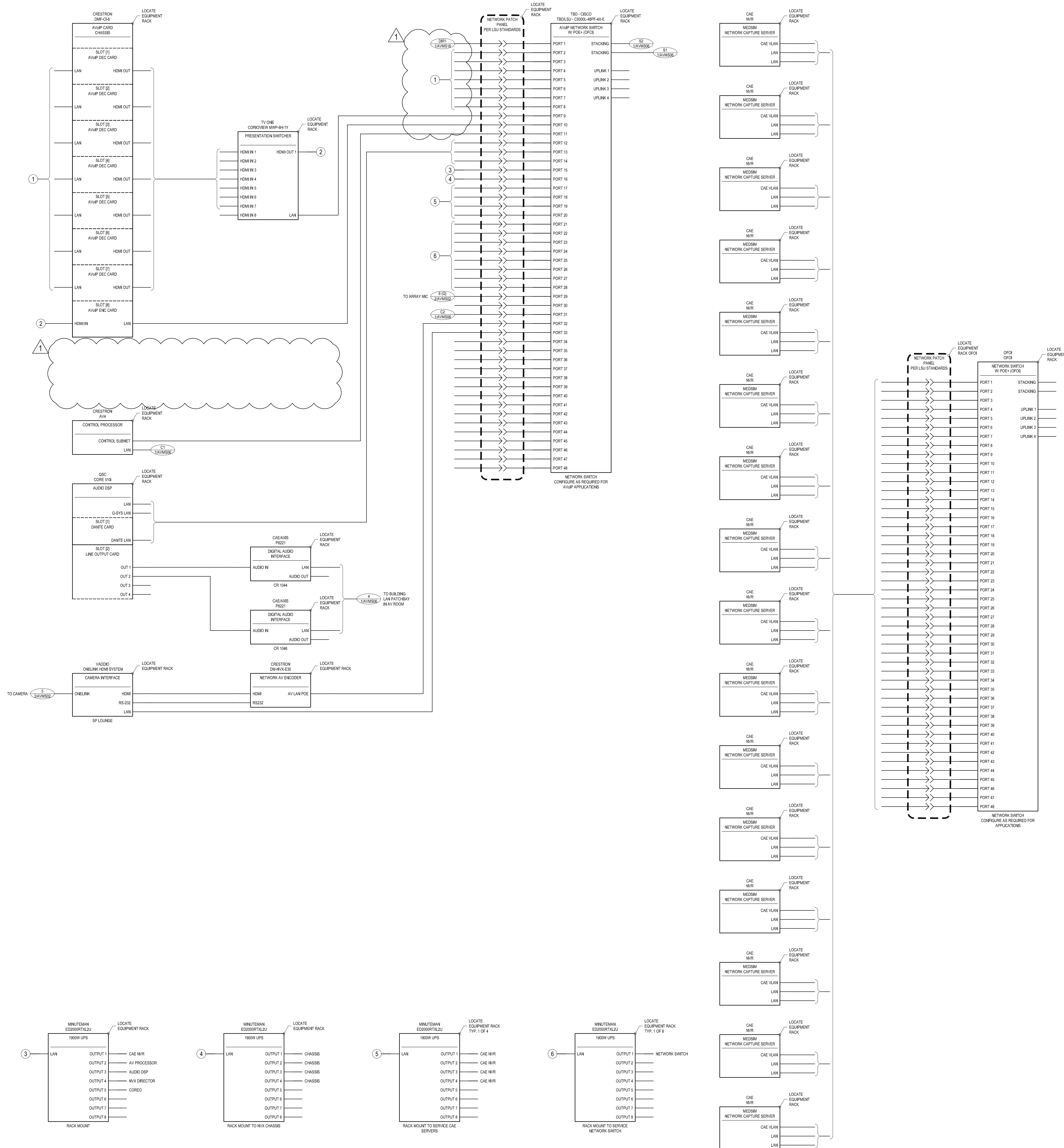
AUDIOVISUAL SYSTEMS

© Eskew+Dumez+Ripple 2019
A Professional Corporation

The intent of the Contract Documents is to include all items necessary for proper execution and completion of the work by Contractor. The Contract Documents are complementary, and what is required by one shall be as binding as if required by all; performance by the Contractor shall be required only to the extent consistent with the Contract Documents and reasonably inferable from them as being necessary to produce the indicated results.

REVISIONS

01 DEC 2021 ADDENDUM 1



REPURPOSING INTERIM HOSPITAL
LOUISIANA STATE UNIVERSITY
MEDICAL CENTER

2021 PERDIDO ST, NEW ORLEANS, LOUISIANA 70112
FP&C PROJECT NO. | 19-604N-16-01, PT. 01, F.19001156;
F.19.002168-01-107-05B-13, F.01003750; & 19-604N-05-05,
F.19002231 (SUPPLEMENT)

EDR PROJECT NO. | 16053

PROJECT ISSUE DATE | 28 OCTOBER 2021

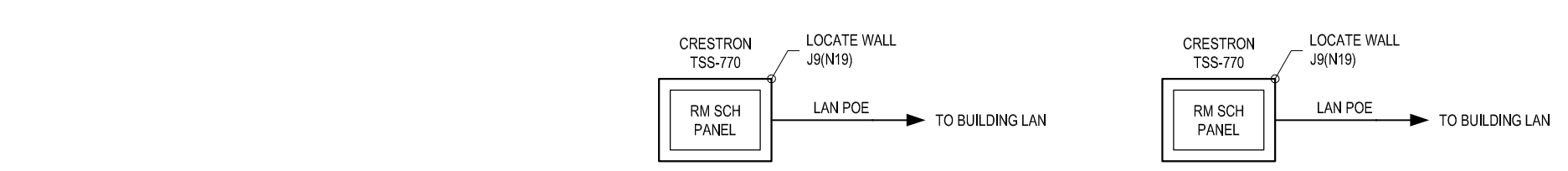
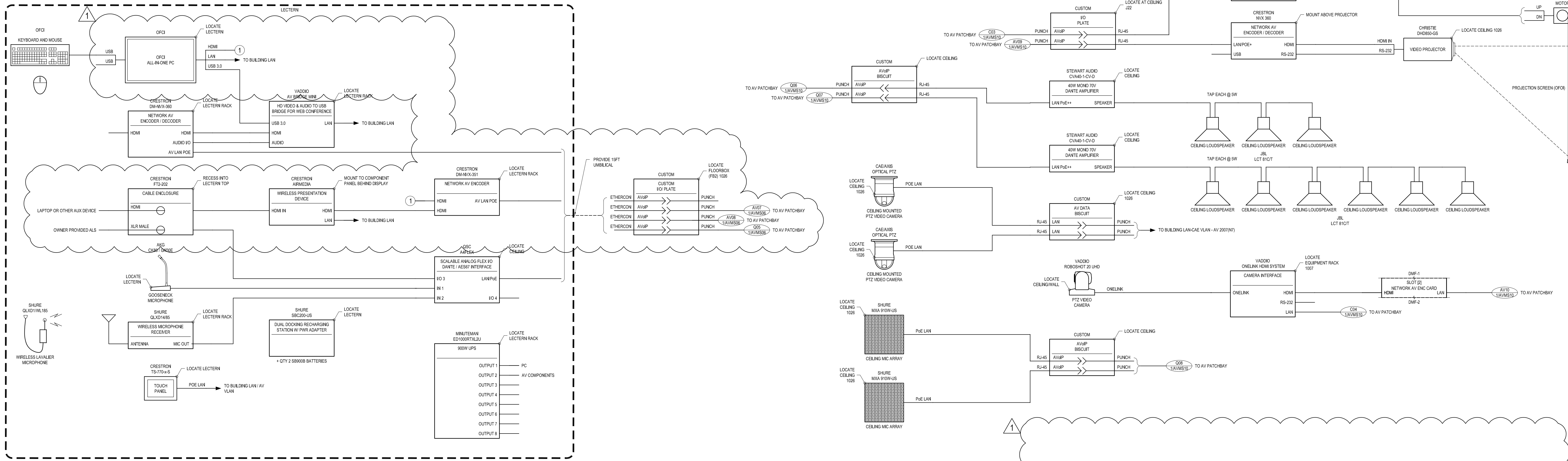
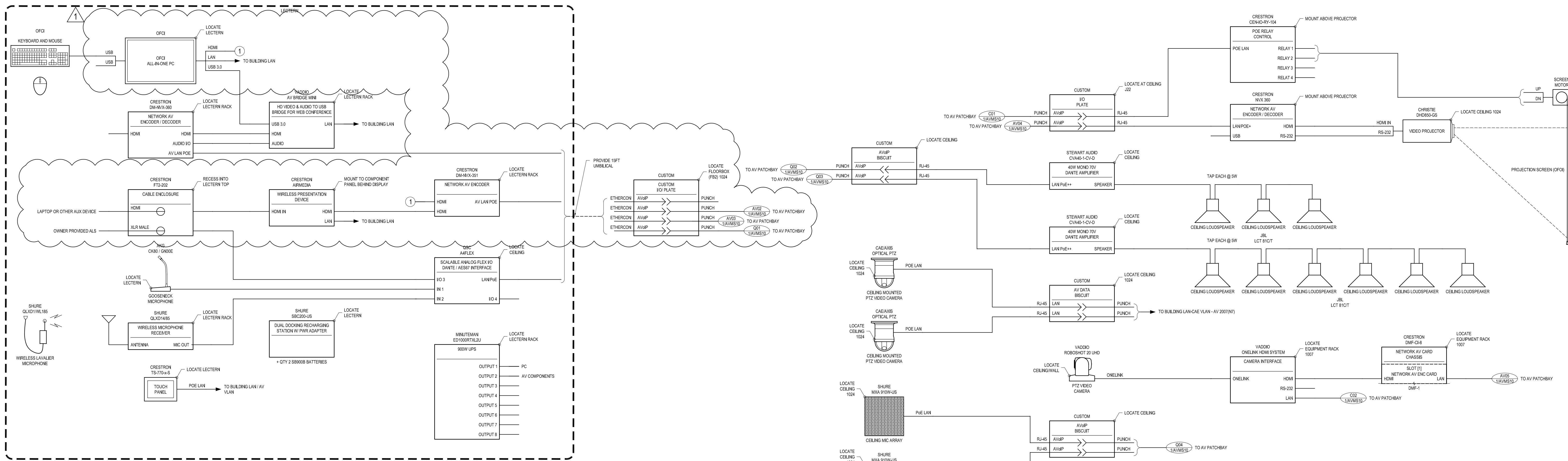
AUDIOVISUAL SYSTEMS

© Eskew+Dumez+Ripple 2019
A Professional Corporation

The intent of the Contract Documents is to include all items necessary for proper execution and completion of the work by Contractor. The Contract Documents are complementary, and what is required by one shall be as binding as if required by all; performance by the Contractor shall be required only to the extent consistent with the Contract Documents and reasonably inferable from them as being necessary to produce the indicated results.

REVISIONS
01 DEC 2021 ADDENDUM 1

AUDIOVISUAL SYSTEMS -
MED SIM -
MSY12 - SHEET 2



1 MSY13 - CONFERENCE & FLEX (DIVISIBLE) - QTY. 1 - ROOM NUMBERS 1024 & 1026
AVMS08 SCALE: NTS

REPURPOSING INTERIM HOSPITAL
LOUISIANA STATE UNIVERSITY
MEDICAL CENTER
2021 PERDIDO ST, NEW ORLEANS, LOUISIANA 70112

FP&C PROJECT NO. | 19-604N-16-01, PT. 01, F.19001156;
F.19.002166-01-107-05B-13, F.01003750; & 19-604N-05-05,
F.19002231 (SUPPLEMENT)

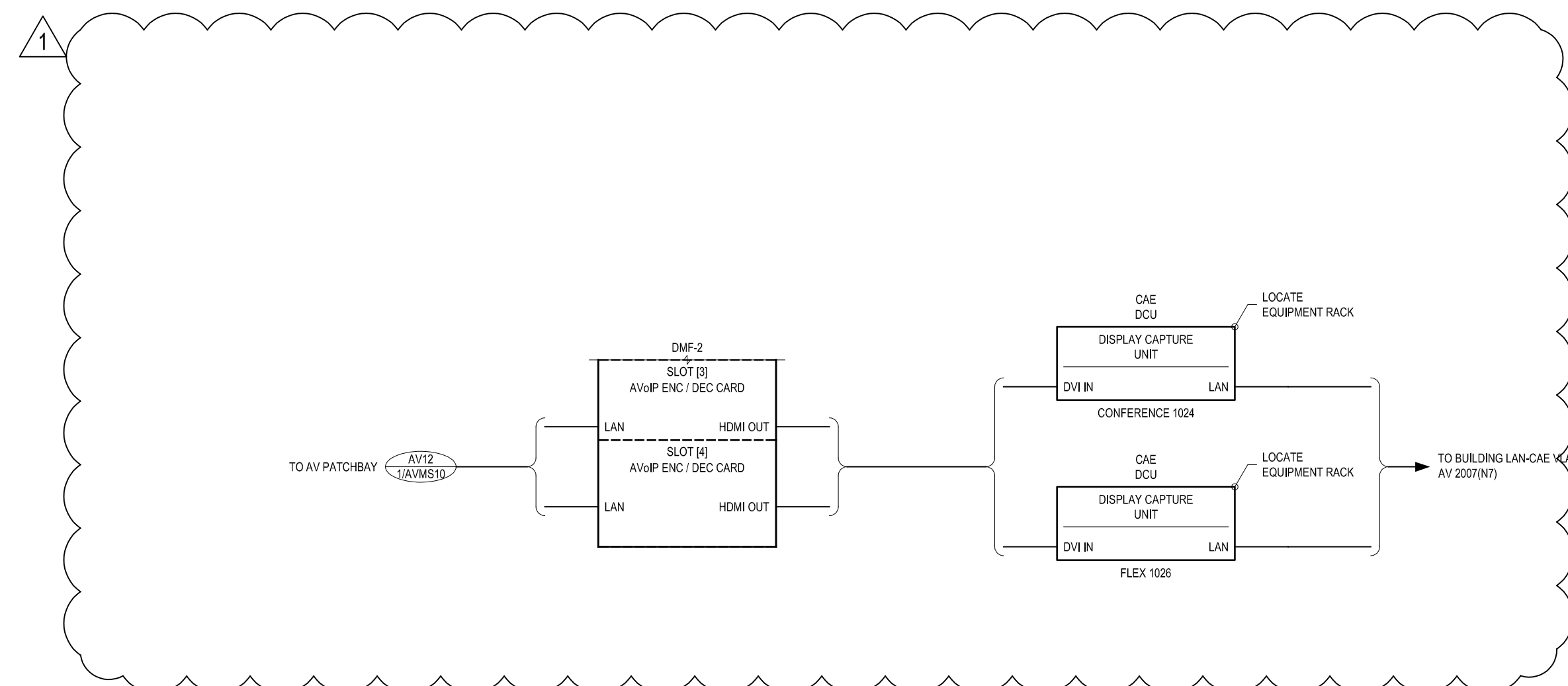
EDR PROJECT NO. | 16053
PROJECT ISSUE DATE | 28 OCTOBER 2021

AUDIOVISUAL SYSTEMS

© Eskew+Dumez+Ripple 2019
A Professional Corporation

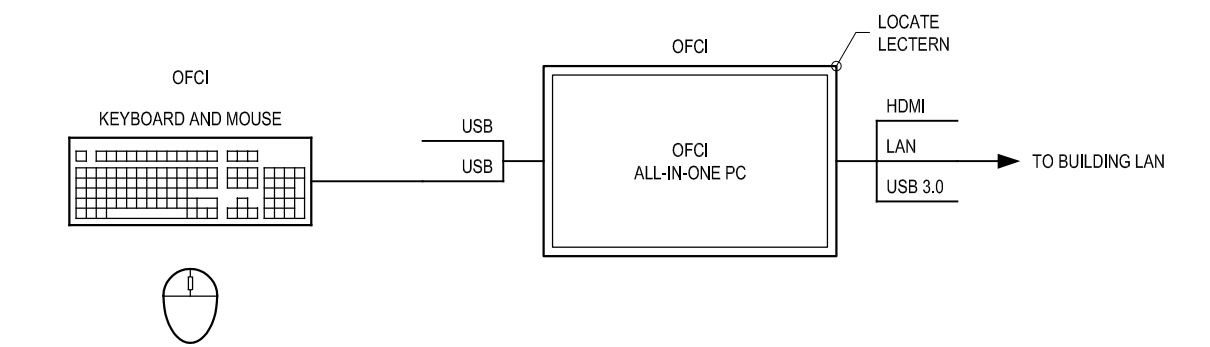
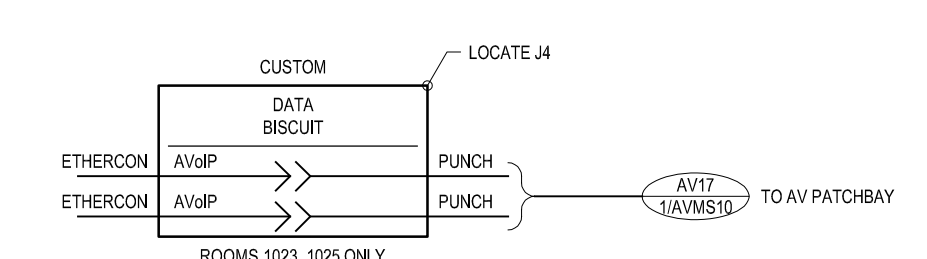
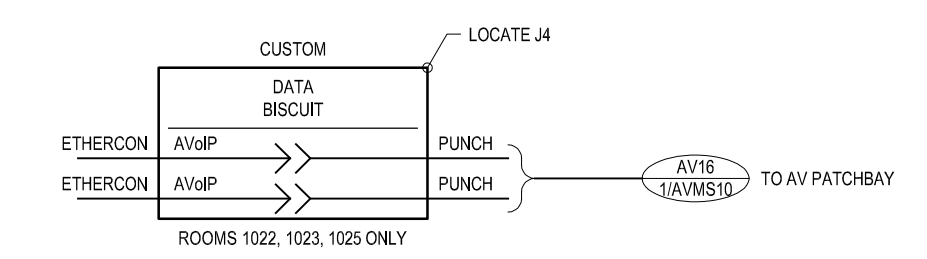
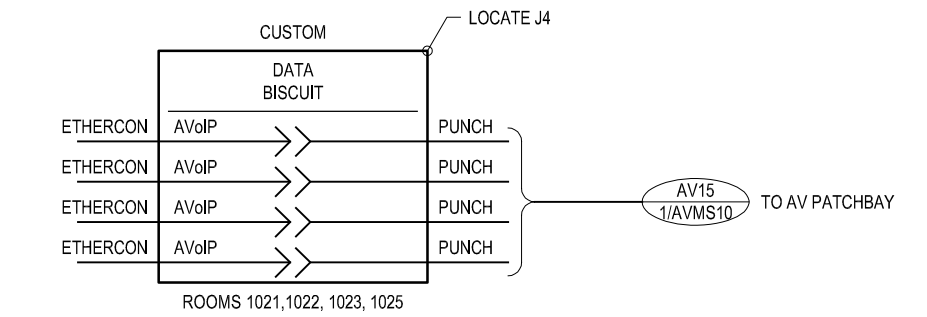
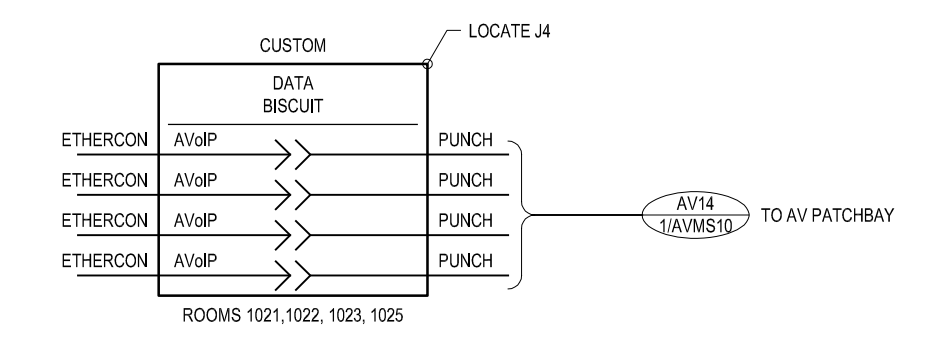
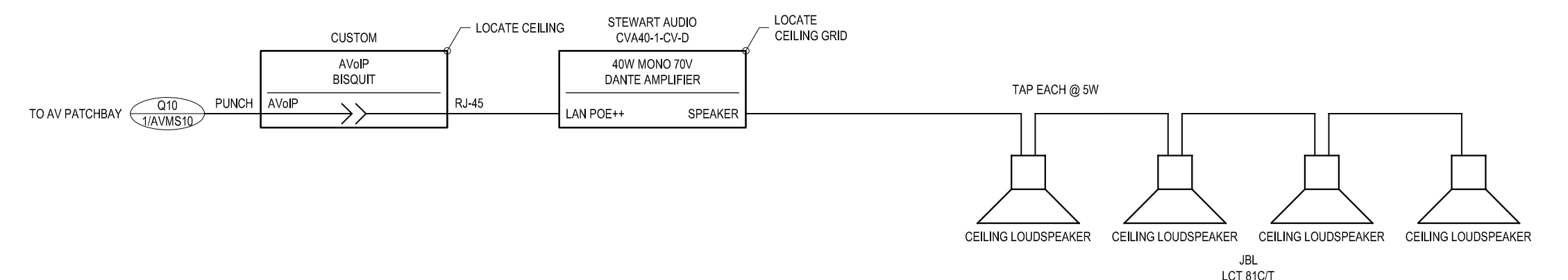
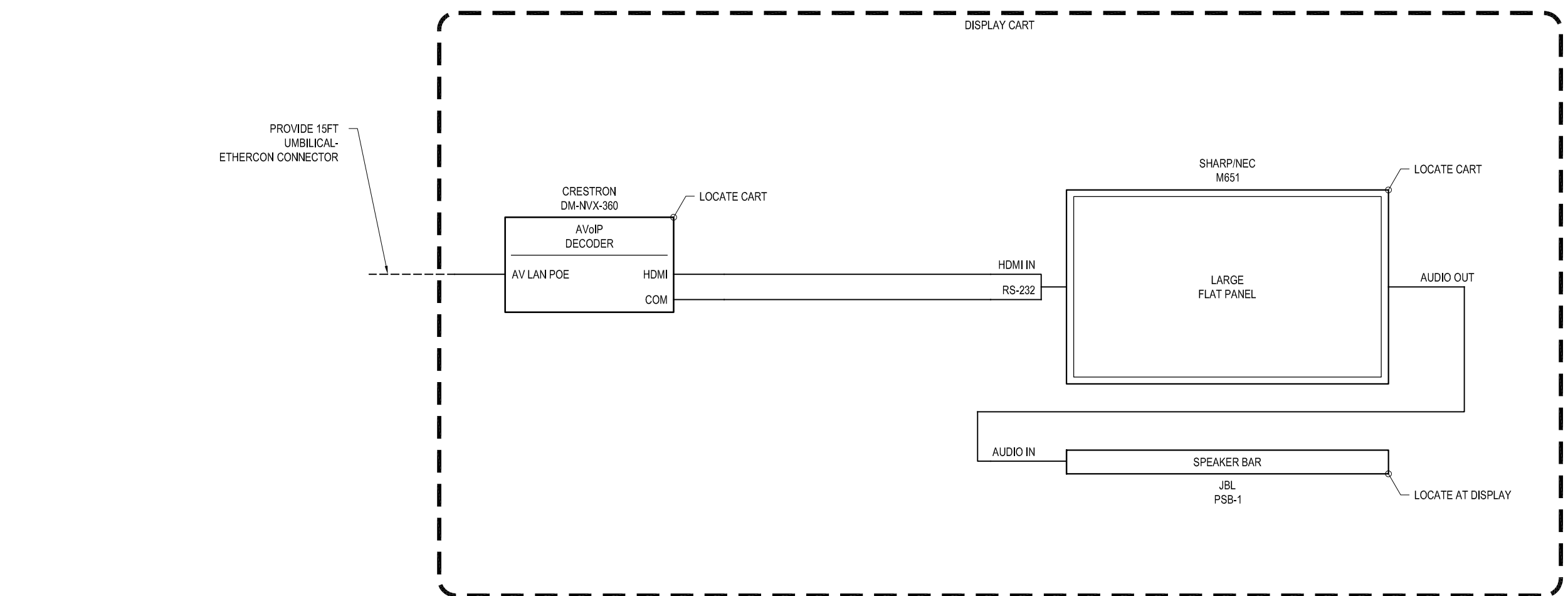
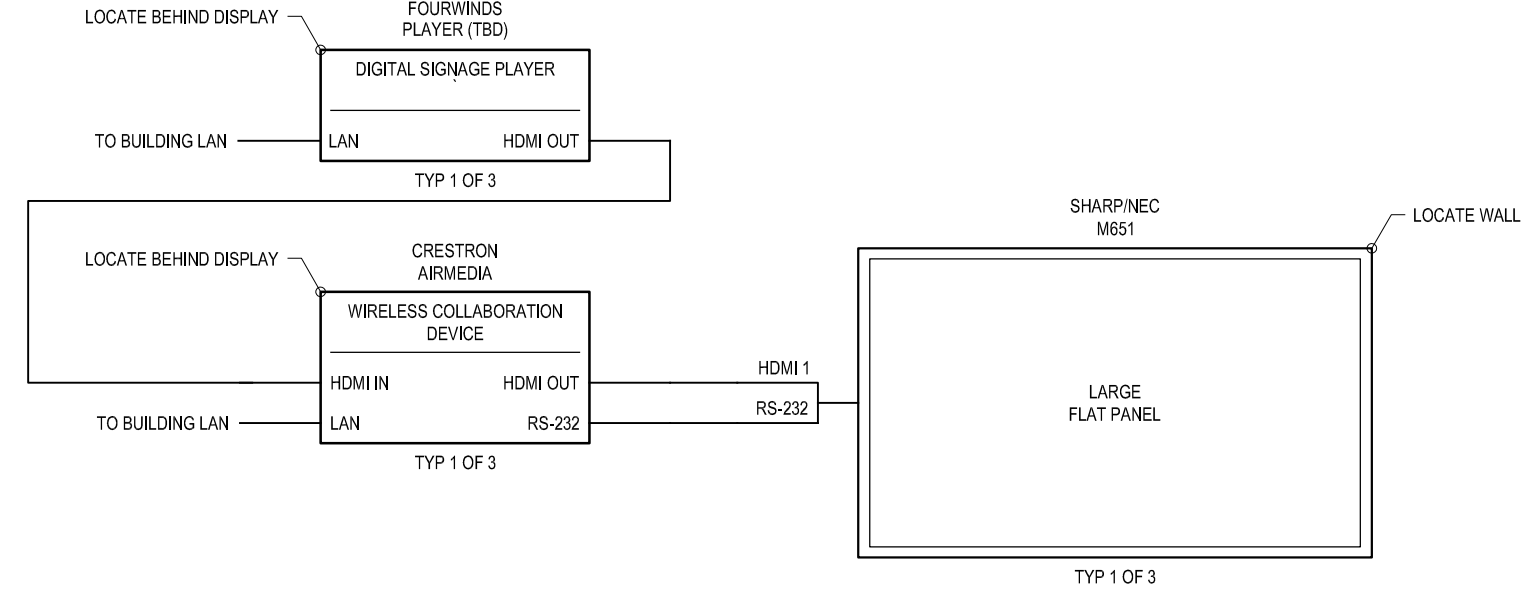
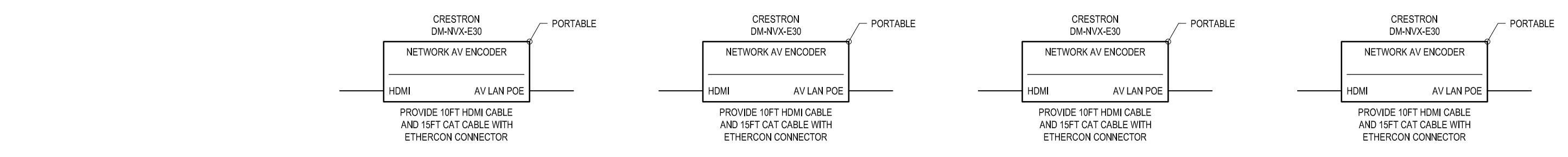
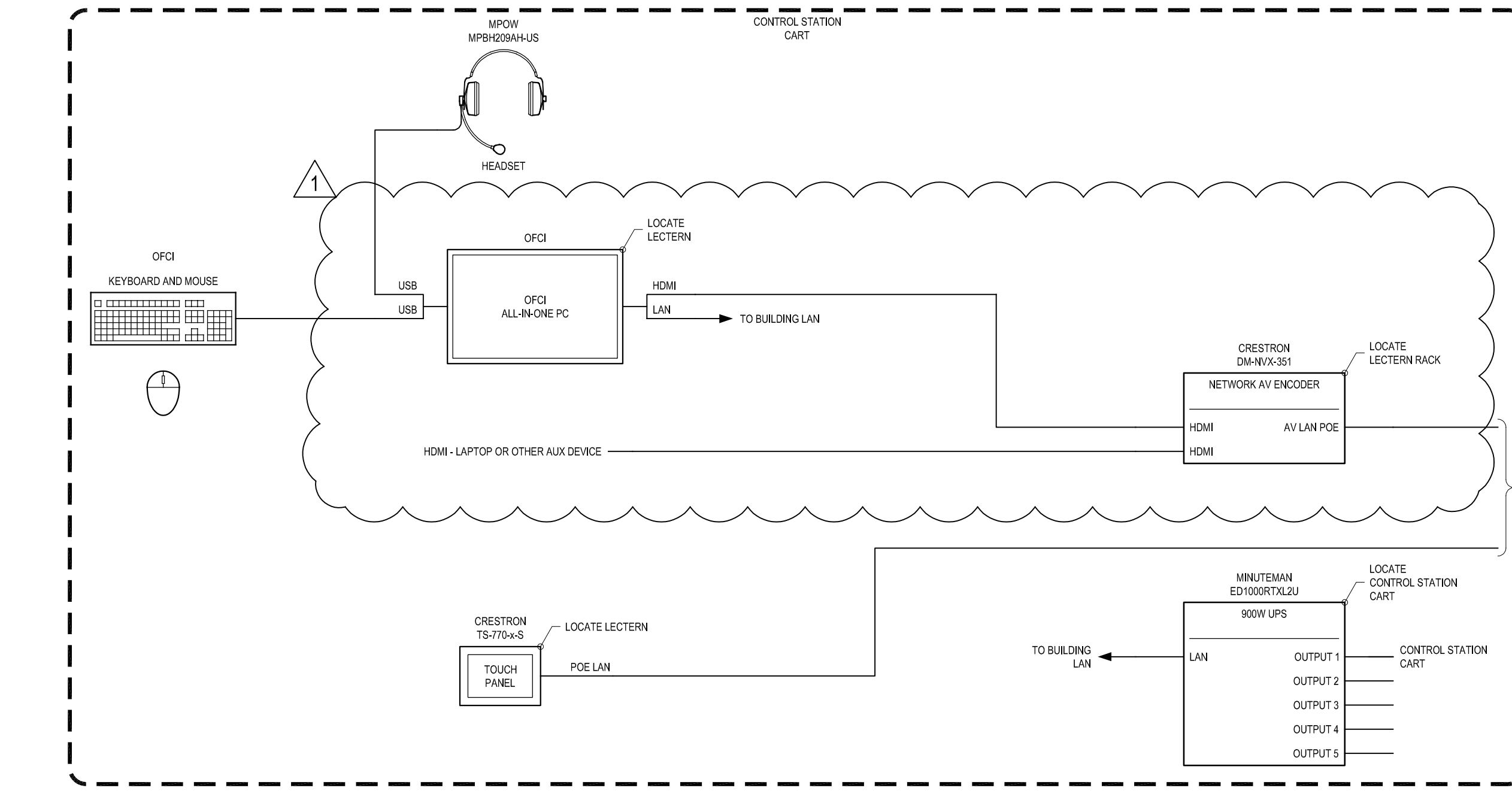
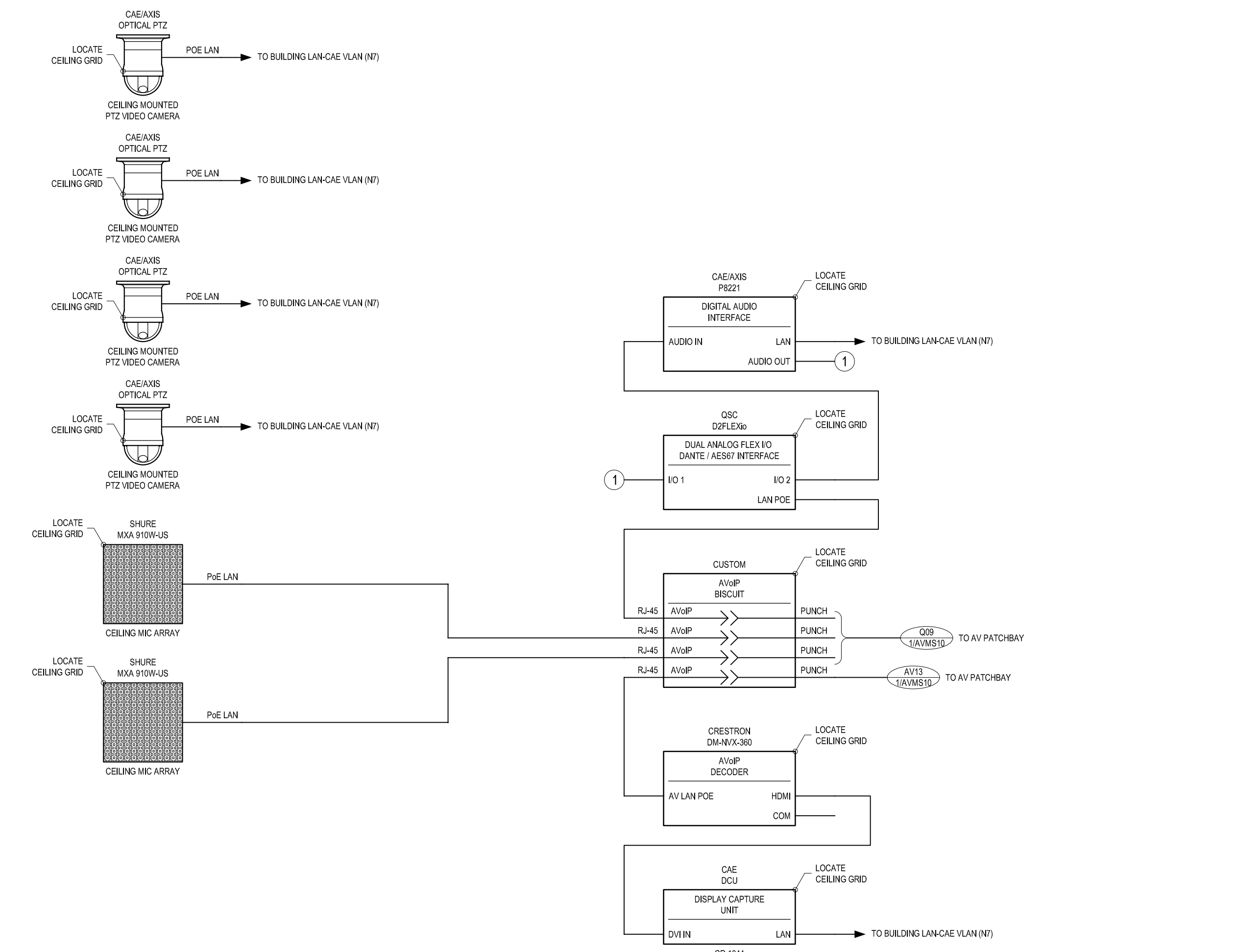
The intent of the Contract Documents is to include all items necessary for proper execution and completion of the work by Contractor. The Contract Documents are complementary, and what is required by one shall be as binding as if required by all; performance by the Contractor shall be required only to the extent consistent with the Contract Documents and reasonably inferable from them as being necessary to produce the indicated results.

REVISIONS
01 DEC 2021 ADDENDUM 1



AUDIOVISUAL SYSTEMS -
MED SIM -
MSY13

1 MSY14 - MED MALL COLLAB - QTY. 1 - ROOM NUMBER 1120
AVMS09 SCALE: NTS



2 MSY15 - LAB (MED MALL) - QTY. 4 - ROOM NUMBERS 1021, 1022, 1023, 1025
AVMS09 SCALE: NTS

REPURPOSING INTERIM HOSPITAL LOUISIANA STATE UNIVERSITY MEDICAL CENTER

2021 PERDIDO ST, NEW ORLEANS, LOUISIANA 70112
FP&C PROJECT NO. | 19-604N-16-01, PT. 01, F.19001156;
F.19.002166-01-107-05B-13, F.01003750; & 19-604N-05-05, F.19002231 (SUPPLEMENT)
EDR PROJECT NO. | 16053

PROJECT ISSUE DATE | 28 OCTOBER 2021

AUDIOVISUAL SYSTEMS

© Eskew+Dumez+Ripple 2019
A Professional Corporation

The intent of the Contract Documents is to include all items necessary for proper execution and completion of the work by Contractor. The Contract Documents are complementary, and what is required by one shall be as binding as if required by all; performance by the Contractor shall be required only to the extent consistent with the Contract Documents and reasonably inferable from them as being necessary to produce the indicated results.

REVISIONS
01 DEC 2021 ADDENDUM 1

AUDIOVISUAL SYSTEMS - MED SIM - MSY15

**REPURPOSING INTERIM HOSPITAL
LOUISIANA STATE UNIVERSITY
MEDICAL CENTER**

2021 PERDIDO ST, NEW ORLEANS, LOUISIANA 70112
FP&C PROJECT NO. | 19-604N-16-01, PT. 01, F.19001156;
F.19.002166-01-107-05B-13, F.01003750; & 19-604N-05-05,
F.19002231 (SUPPLEMENT)

EDR PROJECT NO. | 16053

PROJECT ISSUE DATE | 28 OCTOBER 2021

AUDIOVISUAL SYSTEMS

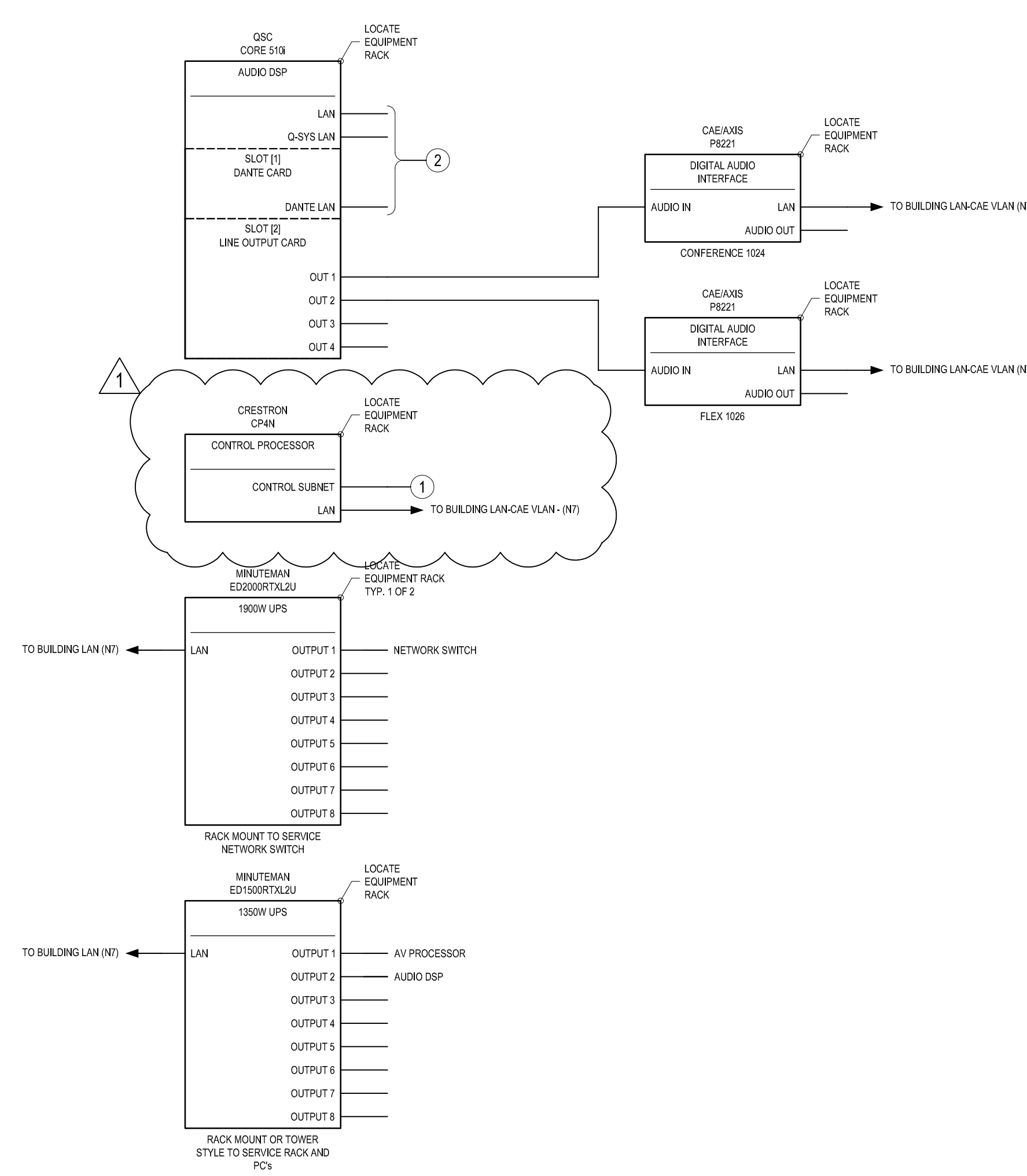
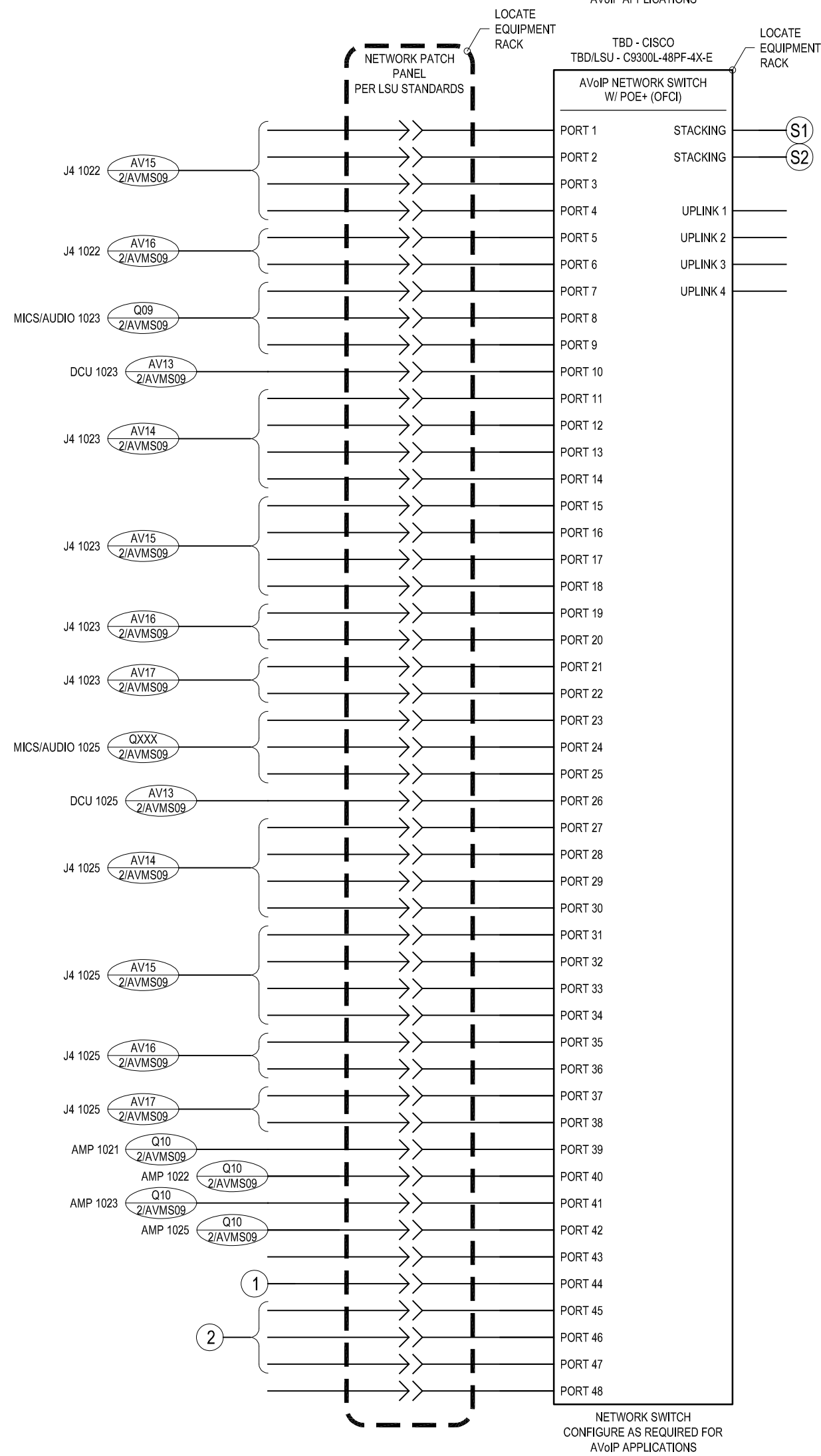
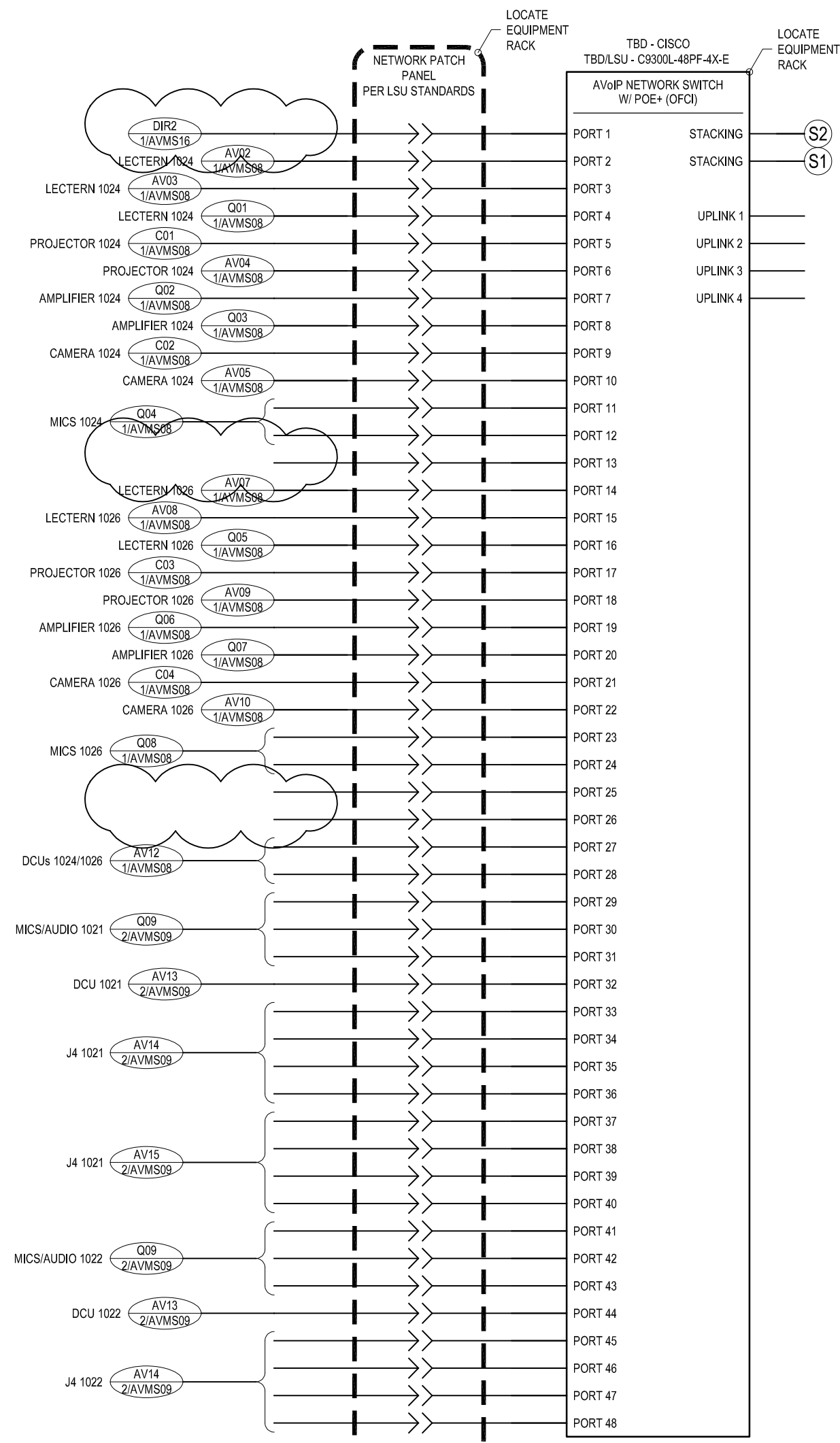
© Eskew+Dumez+Ripple 2019
A Professional Corporation

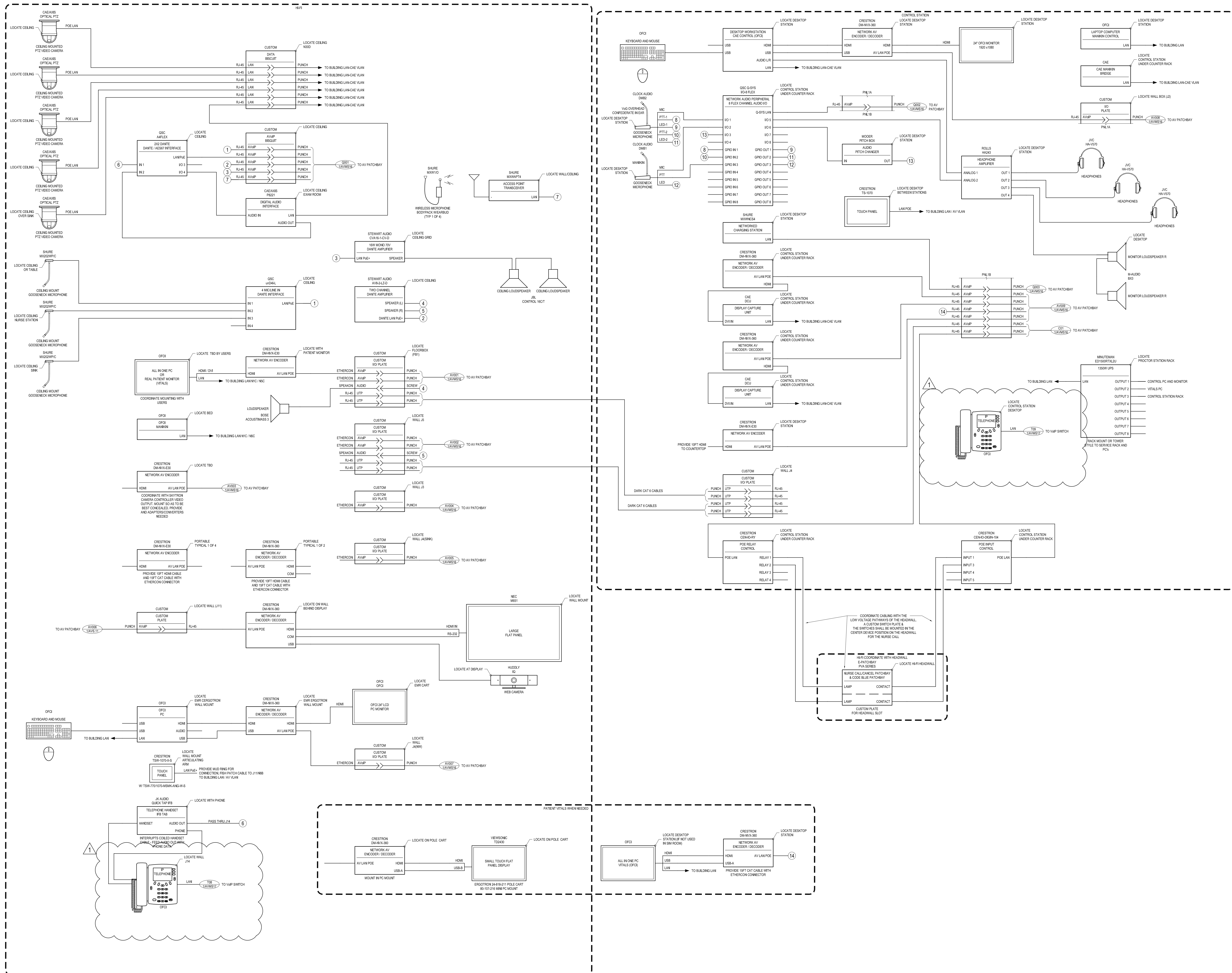
The intent of the Contract Documents is to include all items necessary for proper execution and completion of the work by Contractor. The Contract Documents are complementary, and what is required by one shall be as binding as if required by all; performance by the Contractor shall be required only to the extent consistent with the Contract Documents and reasonably inferable from them as being necessary to produce the indicated results.

REVISIONS

01 DEC 2021 ADDENDUM 1

**AUDIOVISUAL SYSTEMS -
MED SIM -
MSY16**





REPURPOSING INTERIM HOSPITAL
LOUISIANA STATE UNIVERSITY
MEDICAL CENTER

2021 PERDIDO ST, NEW ORLEANS, LOUISIANA 70112
FP&C PROJECT NO. | 19-604N-16-01, PT. 01, F.19001156;
F.19.002166-01-107-05B-13, F.01003750; & 19-604N-05-05,
F.19002231 (SUPPLEMENT)

EDR PROJECT NO. | 16053

PROJECT ISSUE DATE | 28 OCTOBER 2021

AUDIOVISUAL SYSTEMS

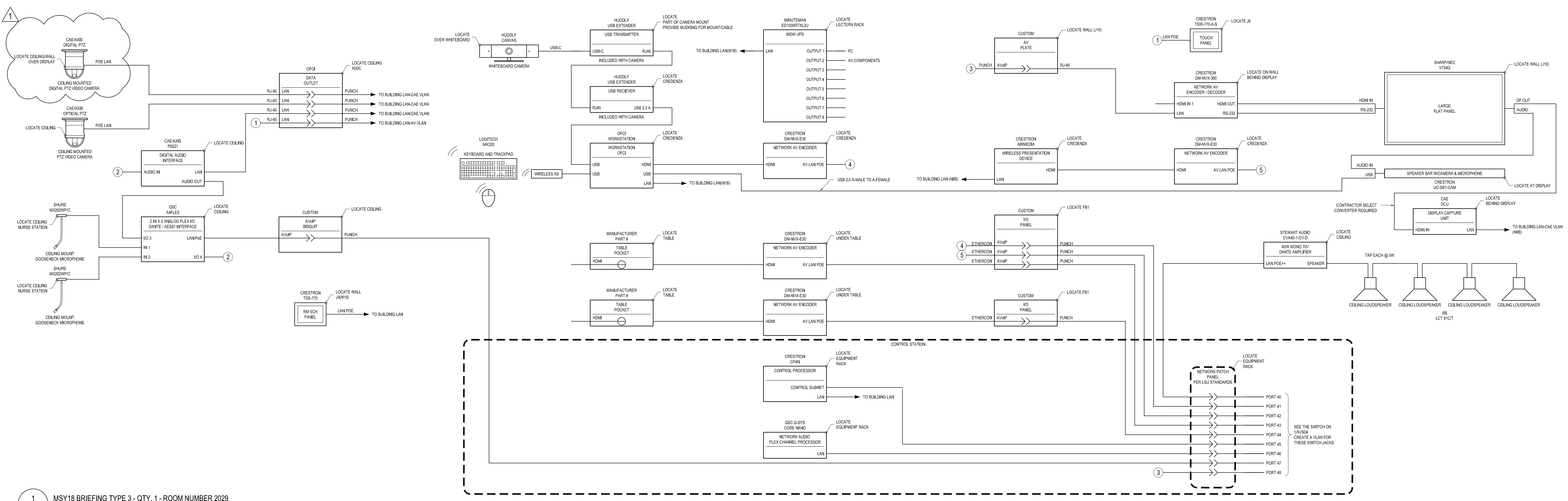
© Eskew+Dumez+Ripple 2019
A Professional Corporation

The intent of the Contract Documents is to include all items necessary for proper execution and completion of the work by Contractor. The Contract Documents are complementary, and what is required by one shall be as binding as if required by all; performance by the Contractor shall be required only to the extent consistent with the Contract Documents and reasonably inferable from them as being necessary to produce the indicated results.

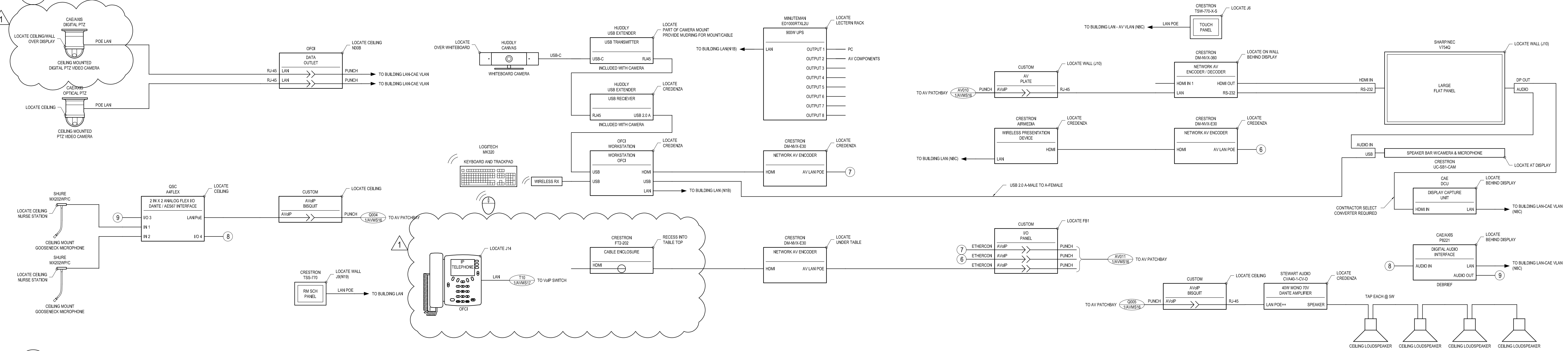
REVISIONS

01 DEC 2021 ADDENDUM 1

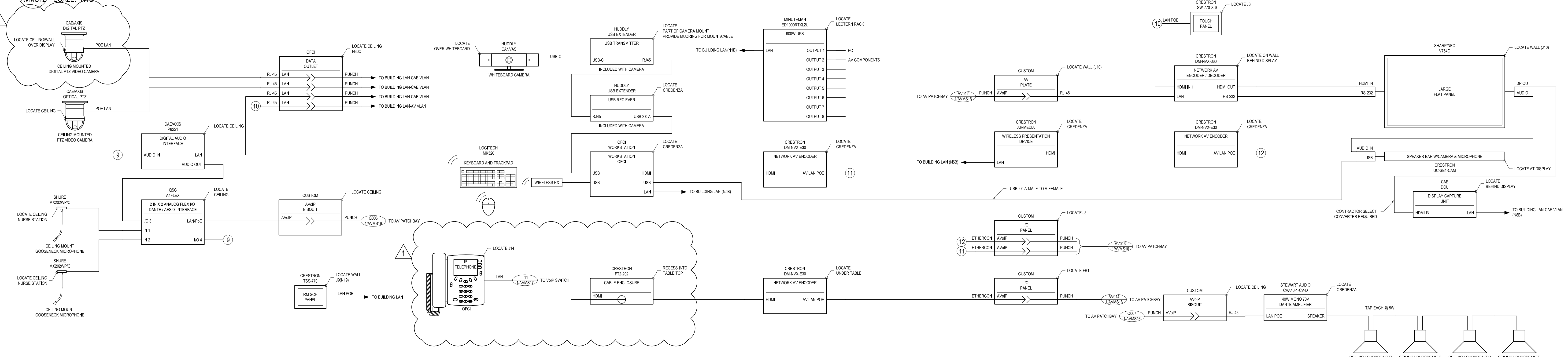
AUDIOVISUAL SYSTEMS -
MED SIM -
MSY17



1 MSY18 BRIEFING TYPE 3 - QTY. 1 - ROOM NUMBER 2029
 AVMS12 SCALE: NTS



2 MSY19 BRIEFING TYPE 4 - QTY. 3 - ROOM NUMBERS 2092, 2094, 2096
 AVMS12 SCALE: NTS



3 MSY20 BRIEFING TYPE 5 - QTY. 1 - ROOM NUMBERS 2116
 AVMS12 SCALE: NTS

**REPURPOSING INTERIM HOSPITAL
 LOUISIANA STATE UNIVERSITY
 MEDICAL CENTER**
 2021 PERDIDO ST, NEW ORLEANS, LOUISIANA 70112
 FP&C PROJECT NO. | 19-604N-16-01, PT. 01, F.19001156;
 F.19.002168-01-107-05B-13, F.01003750; & 19-604N-05-05,
 F.19002231 (SUPPLEMENT)

EDR PROJECT NO. | 16053

PROJECT ISSUE DATE | 28 OCTOBER 2021

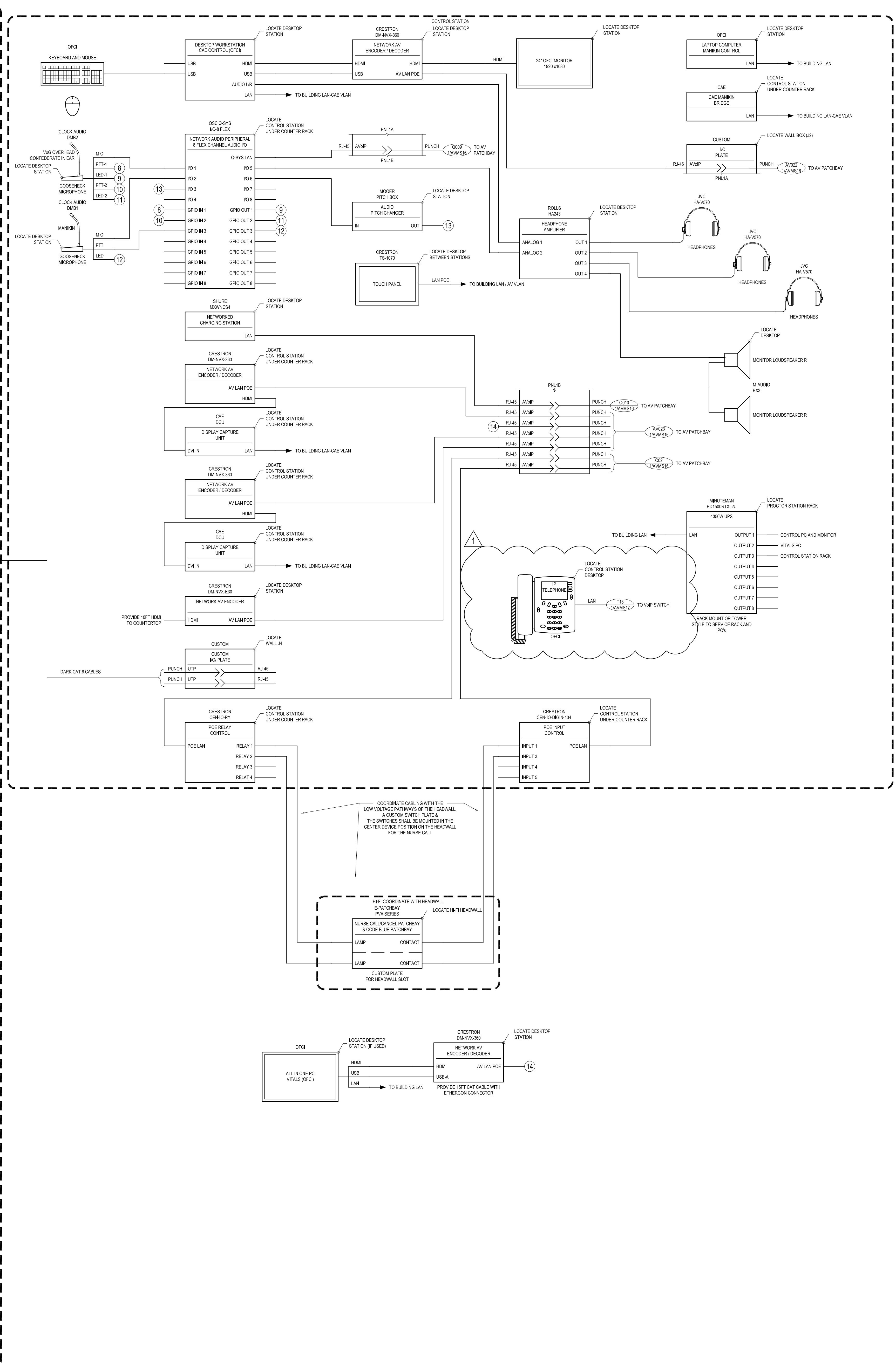
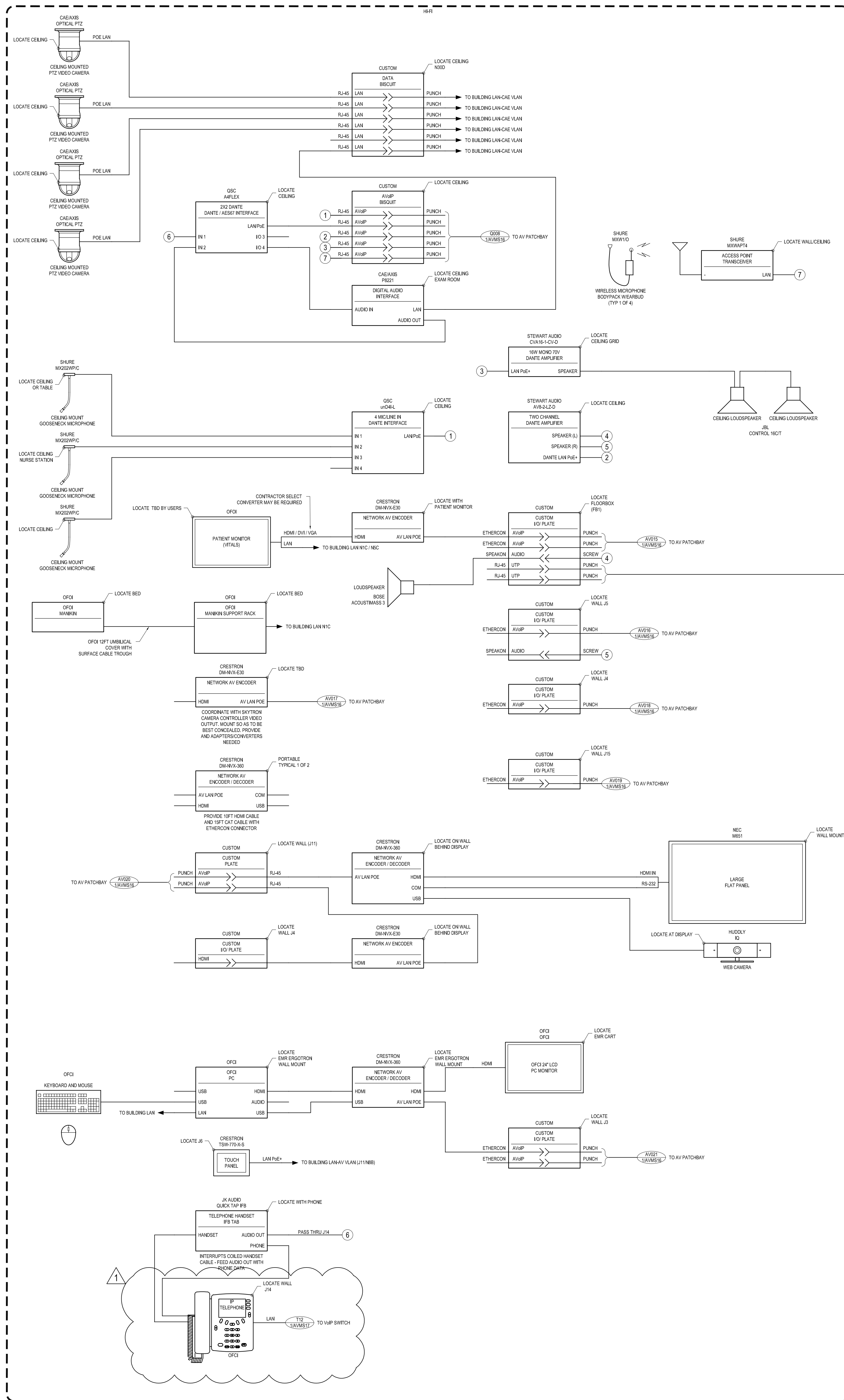
AUDIOVISUAL SYSTEMS

© Eskew+Dumez+Ripple 2019
 A Professional Corporation

The intent of the Contract Documents is to include all items necessary for proper execution and completion of the work by Contractor. The Contract Documents are complementary, and what is required by one shall be as binding as if required by all; performance by the Contractor shall be required only to the extent consistent with the Contract Documents and reasonably inferable from them as being necessary to produce the indicated results.

REVISIONS
 01 DEC 2021 ADDENDUM 1

**AUDIOVISUAL SYSTEMS -
 MED SIM -
 MSY18, MSY19, MSY20**



**REPURPOSING INTERIM HOSPITAL
LOUISIANA STATE UNIVERSITY
MEDICAL CENTER**

2021 PERDIDO ST, NEW ORLEANS, LOUISIANA 70112
FP&C PROJECT NO. | 19-604N-16-01, PT. 01, F.19001156;
F.19.002168-01-107-05B-13, F.01003750; & 19-604N-05-05,
F.19002231 (SUPPLEMENT)

EDR PROJECT NO. | 16053

PROJECT ISSUE DATE | 28 OCTOBER 2021

AUDIOVISUAL SYSTEMS

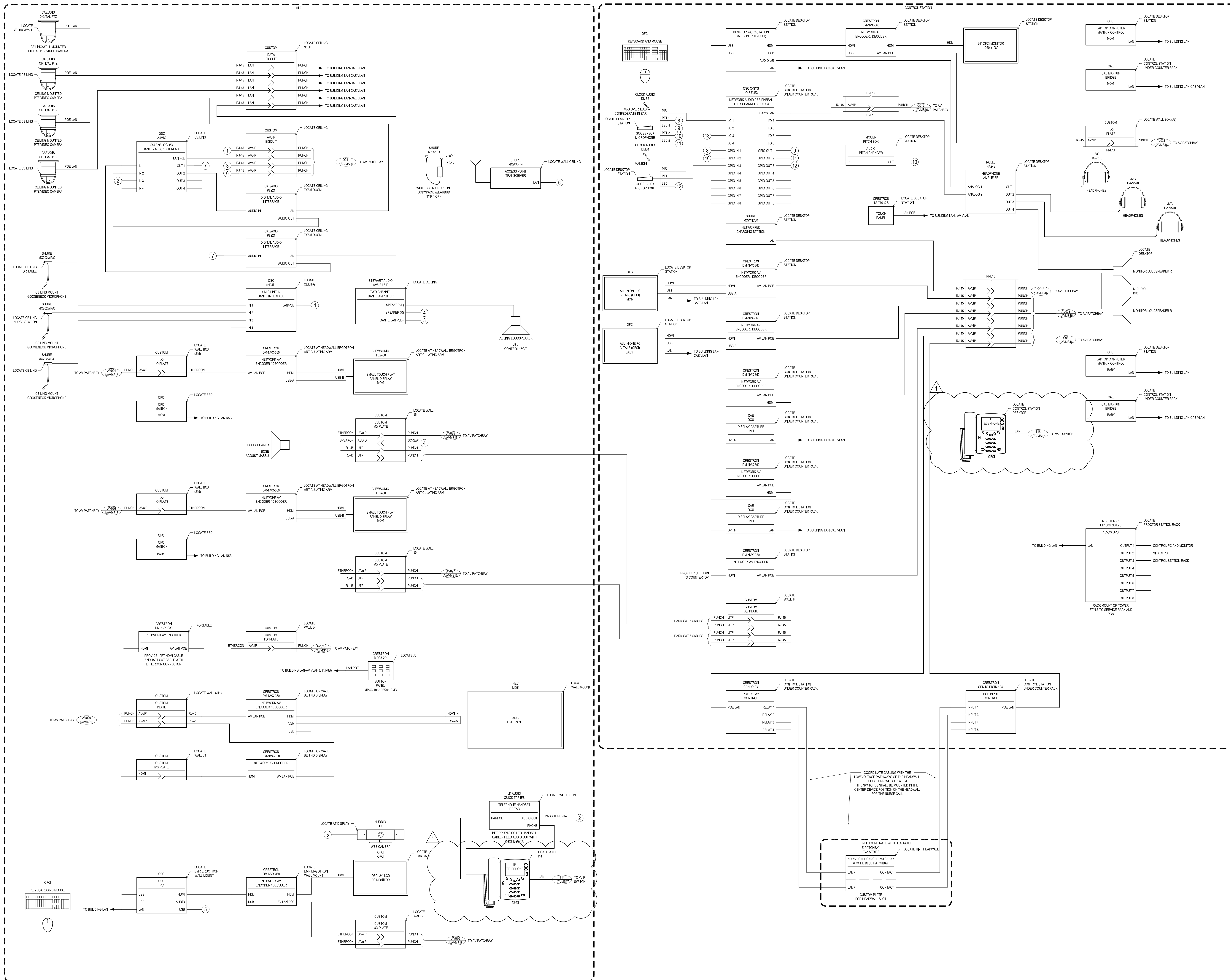
© Eskew+Dumez+Ripple 2019
A Professional Corporation

The intent of the Contract Documents is to include all items necessary for proper execution and completion of the work by Contractor. The Contract Documents are complementary, and what is required by one shall be as binding as if required by all; performance by the Contractor shall be required only to the extent consistent with the Contract Documents and reasonably inferable from them as being necessary to produce the indicated results.

REVISIONS

01 DEC 2021 ADDENDUM 1

**AUDIOVISUAL SYSTEMS -
MED SIM -
MSY21**



REPURPOSING INTERIM HOSPITAL
LOUISIANA STATE UNIVERSITY
MEDICAL CENTER

2021 PERDIDO ST, NEW ORLEANS, LOUISIANA 70112
FP&C PROJECT NO. | 19-604N-16-01, PT. 01, F.19001156;
F.19.002168-01-107-05B-13, F.01003750; & 19-604N-05-05,
F.19002231 (SUPPLEMENT)

EDR PROJECT NO. | 16053

PROJECT ISSUE DATE | 28 OCTOBER 2021

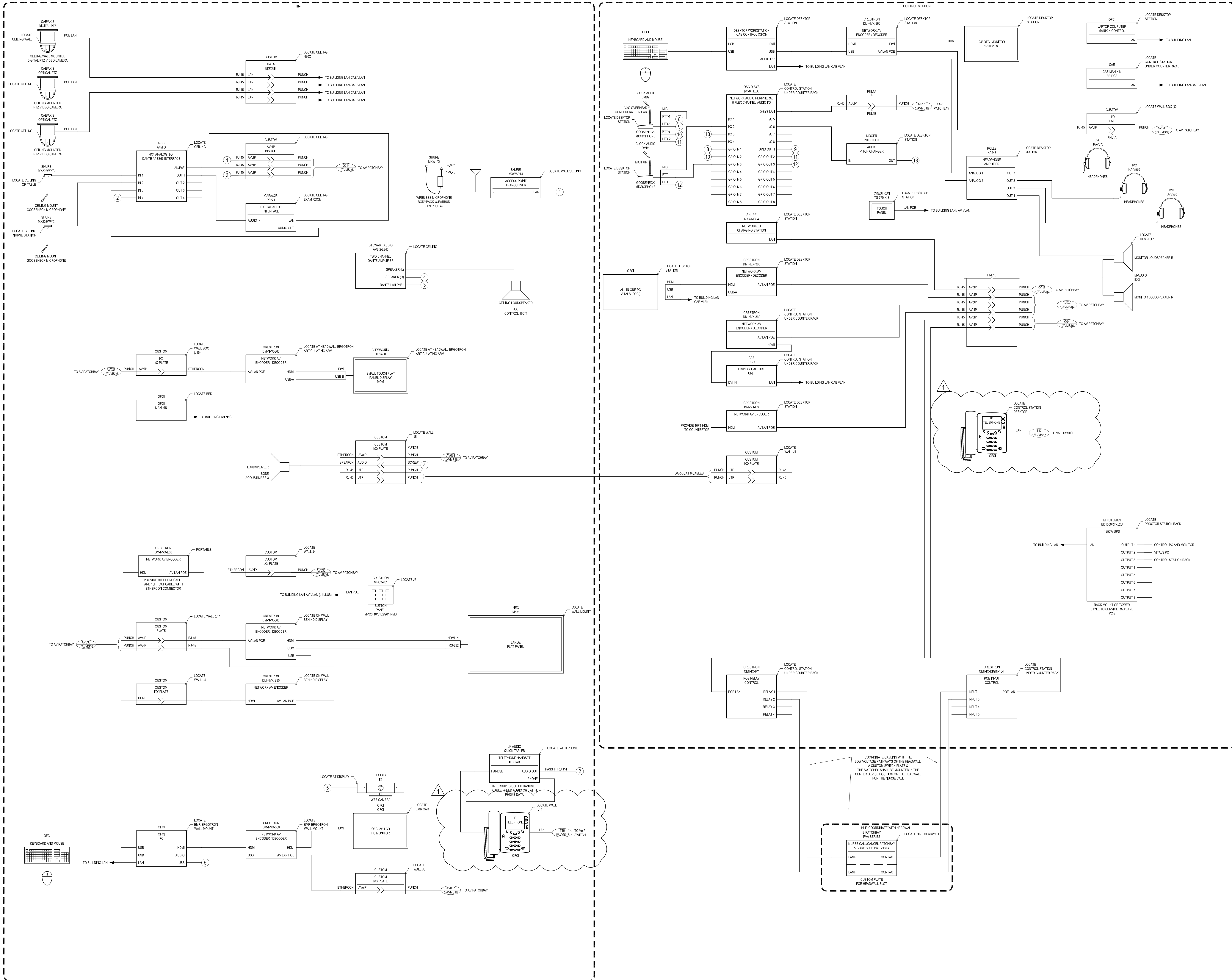
AUDIOVISUAL SYSTEMS

© Eskew+Dumez+Ripple 2019
A Professional Corporation

The intent of the Contract Documents is to include all items necessary for proper execution and completion of the work by Contractor. The Contract Documents are complementary, and what is required by one shall be as binding as if required by all; performance by the Contractor shall be required only to the extent consistent with the Contract Documents and reasonably inferable from them as being necessary to produce the indicated results.

REVISIONS

01 DEC 2021 ADDENDUM 1



REPURPOSING INTERIM HOSPITAL
LOUISIANA STATE UNIVERSITY
MEDICAL CENTER

2021 PERDIDO ST, NEW ORLEANS, LOUISIANA 70112
FP&C PROJECT NO. | 19-604N-16-01, PT. 01, F.19001156;
F.19.002168-01-107-05B-13, F.01003750; & 19-604N-05-05,
F.19002231 (SUPPLEMENT)

EDR PROJECT NO. | 16053

PROJECT ISSUE DATE | 28 OCTOBER 2021

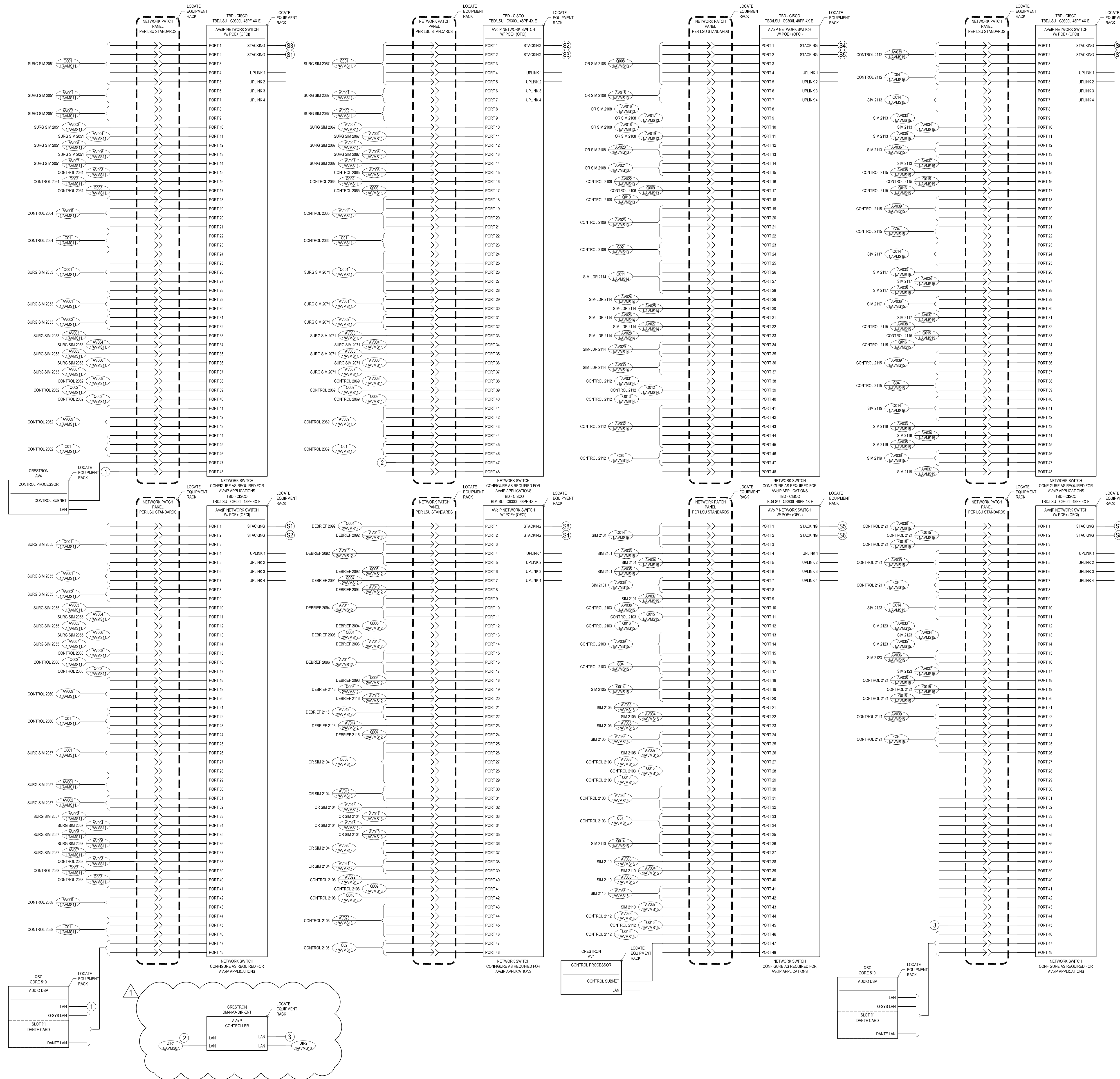
AUDIOVISUAL SYSTEMS

© Eskew+Dumez+Ripple 2019
A Professional Corporation

The intent of the Contract Documents is to include all items necessary for proper execution and completion of the work by Contractor. The Contract Documents are complementary, and what is required by one shall be as binding as if required by all; performance by the Contractor shall be required only to the extent consistent with the Contract Documents and reasonably inferable from them as being necessary to produce the indicated results.

REVISIONS

01 DEC 2021 ADDENDUM 1



REPURPOSING INTERIM HOSPITAL
LOUISIANA STATE UNIVERSITY

MEDICAL CENTER
2021 PERDIDO ST, NEW ORLEANS, LOUISIANA 70112
FP&C PROJECT NO. | 19-604N-16-01, PT. 01, F.19001156;
F.19.002166-01-107-05B-13, F.01003750; & 19-604N-05-05,
F.19002231 (SUPPLEMENT)

EDR PROJECT NO. | 16053

PROJECT ISSUE DATE | 28 OCTOBER 2021

AUDIOVISUAL SYSTEMS

© Eskew+Dumez+Ripple 2019
A Professional Corporation

The intent of the Contract Documents is to include all items necessary for proper execution and completion of the work by Contractor. The Contract Documents are complementary, and what is required by one shall be as binding as if required by all; performance by the Contractor shall be required only to the extent consistent with the Contract Documents and reasonably inferable from them as being necessary to produce the indicated results.

REVISIONS

01 DEC 2021 ADDENDUM 1

**REPURPOSING INTERIM HOSPITAL
LOUISIANA STATE UNIVERSITY
MEDICAL CENTER**

2021 PERDIDO ST, NEW ORLEANS, LOUISIANA 70112
FP&C PROJECT NO. | 19-604N-16-01, PT. 01, F.19001156;
F.19.002166-01-107-05B-13, F.01003750; & 19-604N-05-05,
F.19002231 (SUPPLEMENT)

EDR PROJECT NO. | 16053

PROJECT ISSUE DATE | 28 OCTOBER 2021

AUDIOVISUAL SYSTEMS

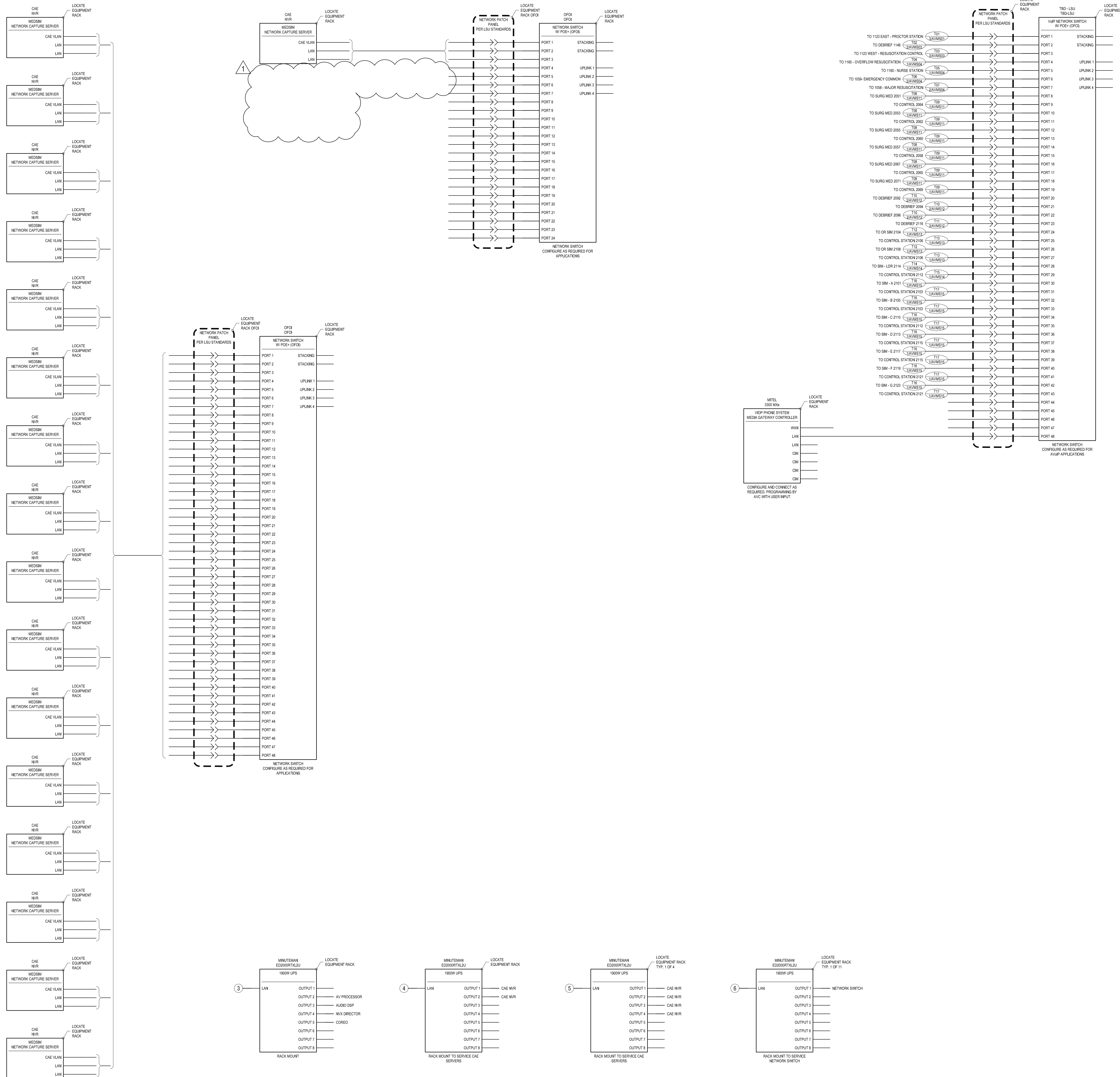
© Eskew+Dumez+Ripple 2019
A Professional Corporation

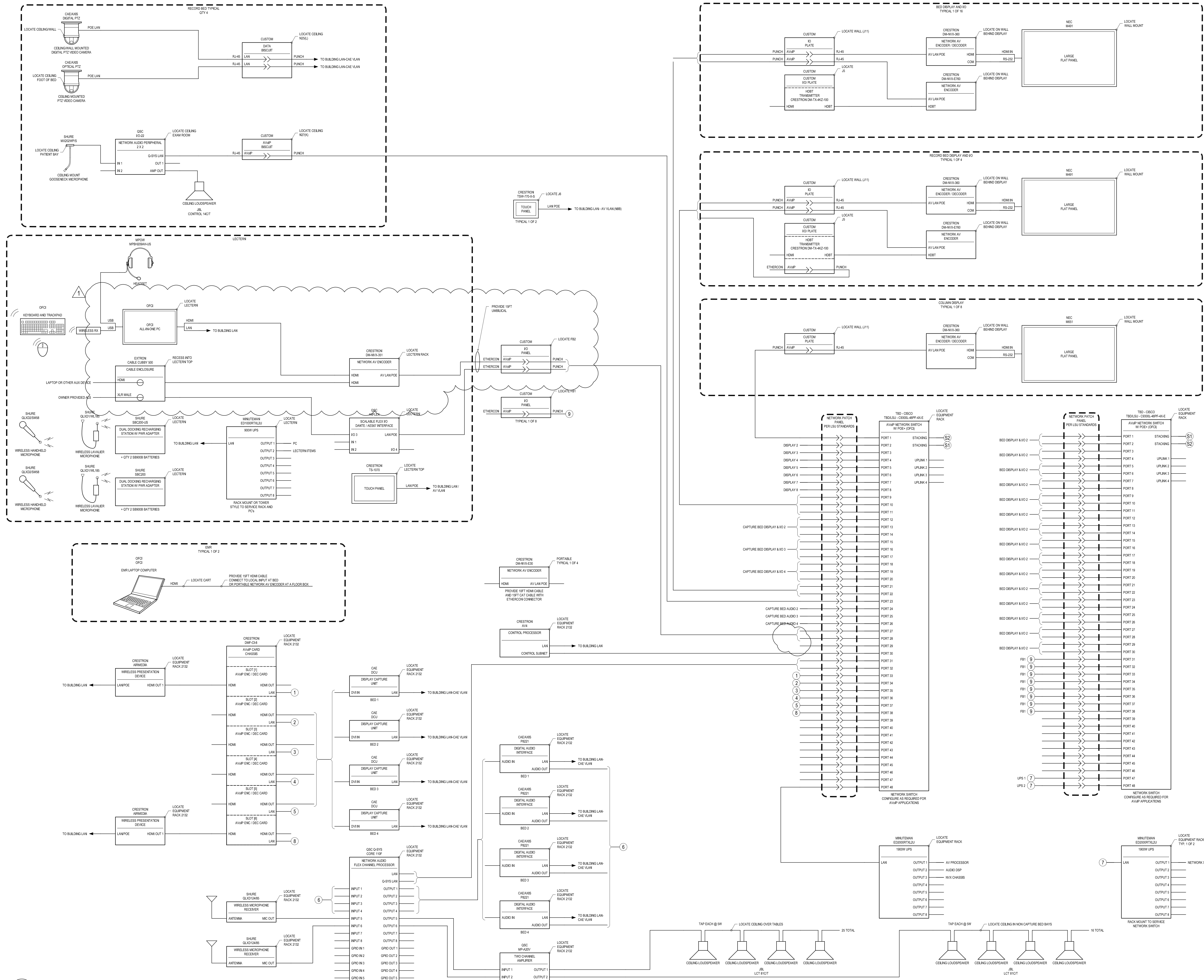
The intent of the Contract Documents is to include all items necessary for proper execution and completion of the work by Contractor. The Contract Documents are complementary, and what is required by one shall be as binding as if required by all; performance by the Contractor shall be required only to the extent consistent with the Contract Documents and reasonably inferable from them as being necessary to produce the indicated results.

REVISIONS

01 DEC 2021 ADDENDUM 1

**AUDIOVISUAL SYSTEMS -
MED SIM -
MSY24 - SHEET 2**





**REPURPOSING INTERIM HOSPITAL
LOUISIANA STATE UNIVERSITY
MEDICAL CENTER**

2021 PERDIDO ST, NEW ORLEANS, LOUISIANA 70112
FP&C PROJECT NO. | 19-604N-16-01, PT. 01, F.19001156;
F.19.002166-01-107-05B-13, F.01003750; & 19-604N-05-05,
F.19002231 (SUPPLEMENT)

EDR PROJECT NO. | 16053
PROJECT ISSUE DATE | 28 OCTOBER 2021

AUDIOVISUAL SYSTEMS

© Eskew+Dumez+Ripple 2019
A Professional Corporation

The intent of the Contract Documents is to include all items necessary for proper execution and completion of the work by Contractor. The Contract Documents are complementary, and what is required by one shall be as binding as if required by all; performance by the Contractor shall be required only to the extent consistent with the Contract Documents and reasonably inferable from them as being necessary to produce the indicated results.

REVISIONS
01 DEC 2021 ADDENDUM 1

**AUDIOVISUAL SYSTEMS -
MED SIM -
MSY25**